
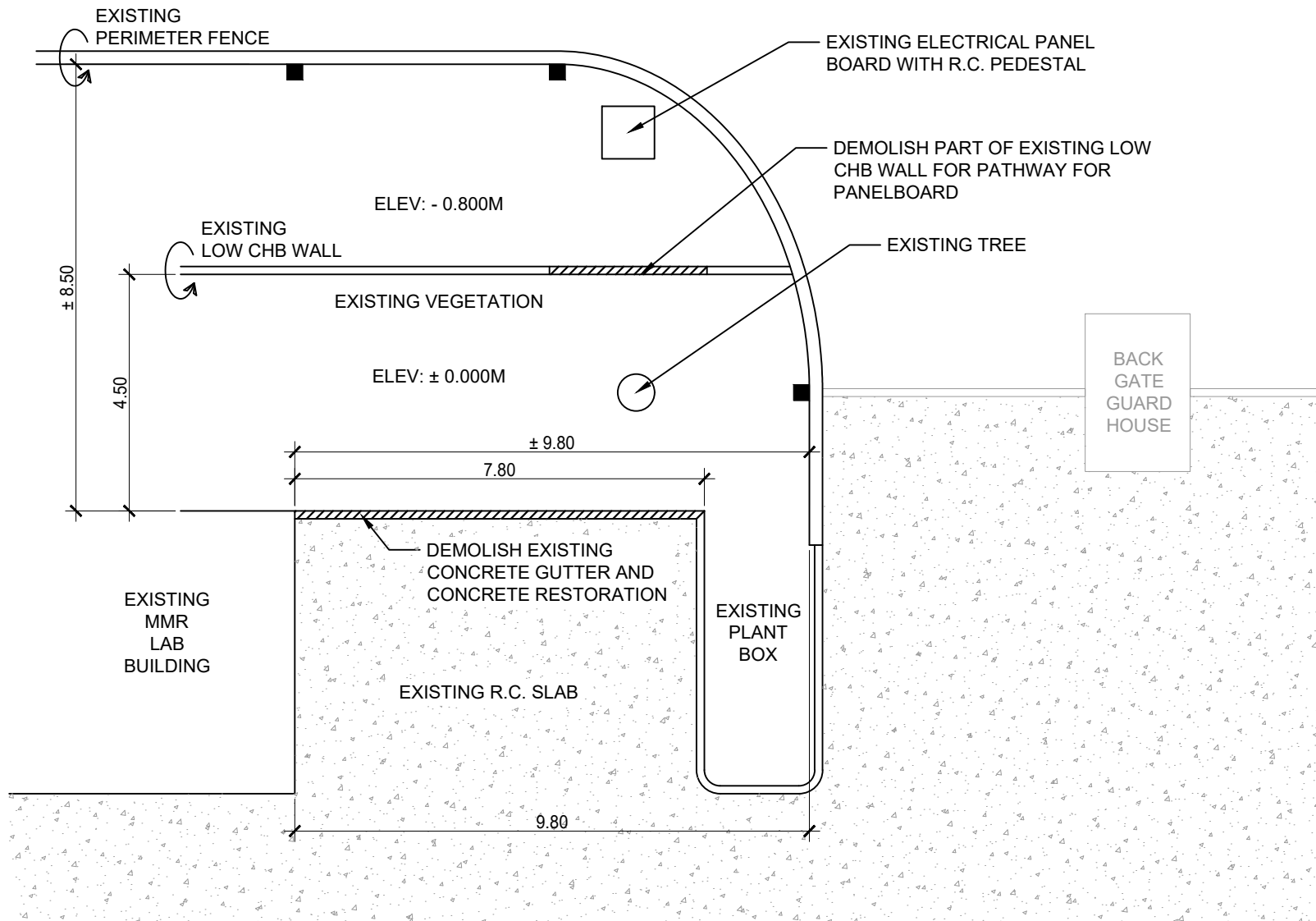


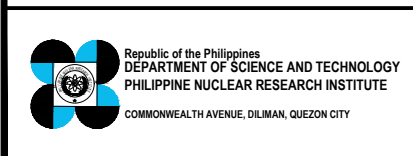
1  
A - 01  
PNRI COMPOUND  
SITE DEVELOPMENT PLAN  
SCALE NTS

 <p>Republic of the Philippines DEPARTMENT OF SCIENCE AND TECHNOLOGY PHILIPPINE NUCLEAR RESEARCH INSTITUTE COMMONWEALTH AVENUE, DILIMAN, QUEZON CITY</p>	<b>PROJECT TITLE:</b>	<b>SHEET CONTENT/S:</b>	<b>PREPARED BY:</b>	<b>RECOMMENDING APPROVALS:</b>	<b>APPROVED BY:</b>	<b>DRAWN BY:</b>	<b>SHEET NO.</b>
	REPAIR OF AGRI PATHWAY'S ROOF AND PROVISION OF PATHWAY FOR EXISTING PANEL BOARD AT BACK GATE GUARD HOUSE	PNRI COMPOUND - SITE DEVELOPMENT PLAN	ENGR. ANDREW C. BARRIDA SSRS, ESS	ENGR. ARTURO F. SALIH HEAD, ESS GERALD DG. CONISE CHIEF, FAD	ENGR. C. PELMONTE	CHECKED BY:	A - 01
			ENGR. ROSALINO B. REJAS SSRS, ESS	PRECIOSA CORAZON B. PABROA, Ph. D. CHIEF, NSD VALLERIE ANN I. SAMSON, Ph. D. DEPUTY DIRECTOR	CARLO A. ARCILLA, Ph. D. DIRECTOR	DATE:	PAGE NO. OF TOTAL NO. OF PAGES
							01 of 09

GENERAL NOTE: DRAWINGS MAY NOT BE IN SCALE. USE MARKED DIMENSIONS. VERIFY ACTUAL MEASUREMENTS. INFORM THE DESIGN TEAM OF ANY DISCREPANCIES FOUND IN THE DRAWINGS, DOCUMENTS, AND ACTUAL SITE CONDITIONS.



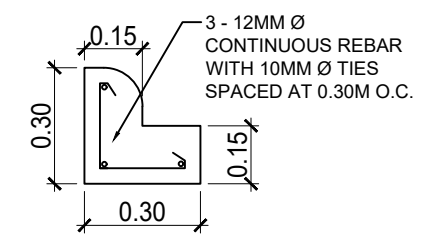
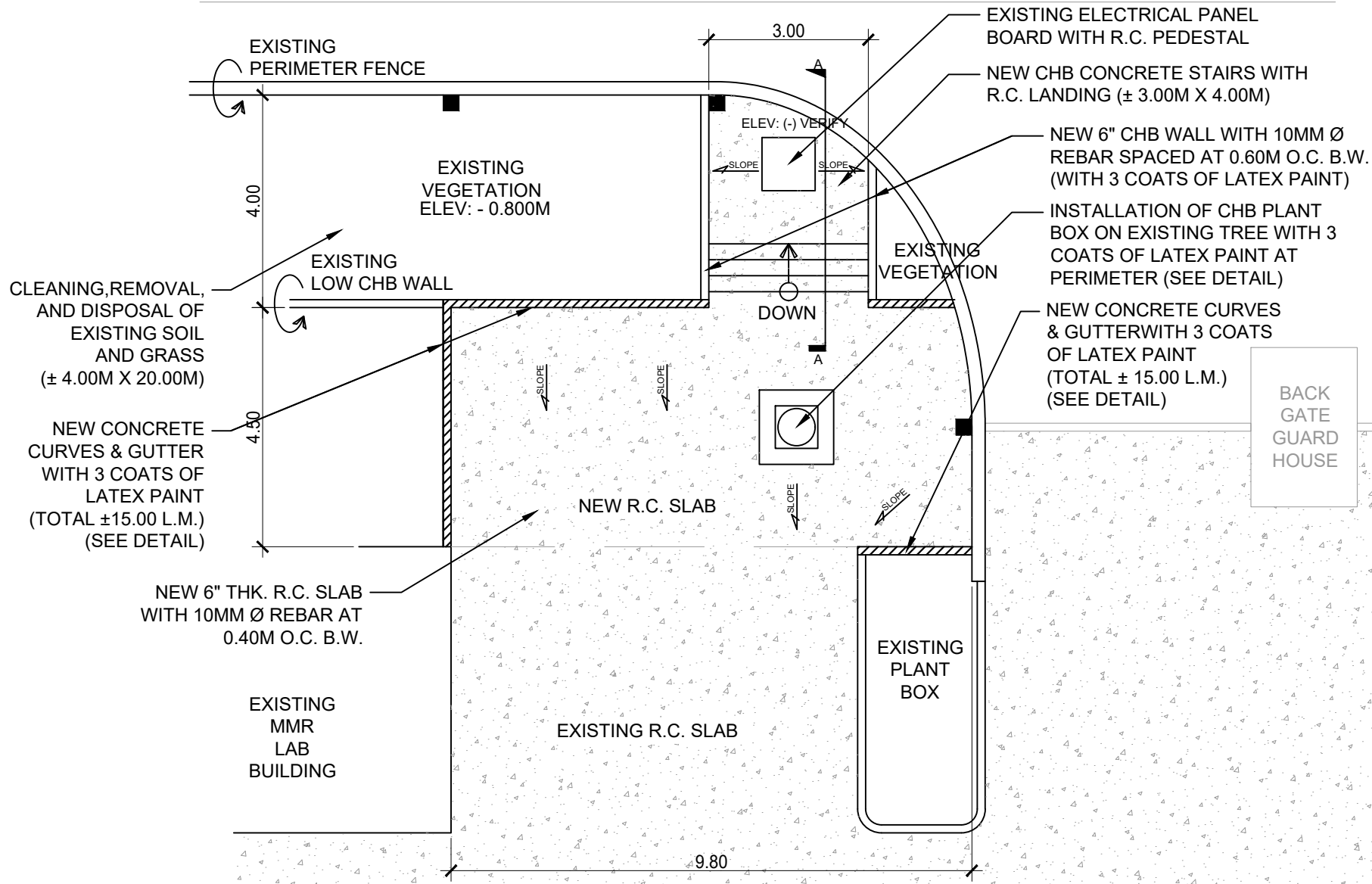
1  
A - 02 PATHWAY FOR CIRCUIT BREAKER  
EXISTING GROUND FLOOR PLAN  
SCALE NTS



PROJECT TITLE:	SHEET CONTENT/S:	PREPARED BY:	RECOMMENDING APPROVALS:	APPROVED BY:	DRAWN BY:	SHEET NO.
REPAIR OF AGRI PATHWAY'S ROOF AND PROVISION OF PATHWAY FOR EXISTING PANEL BOARD AT BACK GATE GUARD HOUSE	PATHWAY FOR PANEL BOARD - EXISTING GROUND FLOOR PLAN	ENGR. ANDREW C. BARRIDA SSRS, ESS  ENGR. ROSALINO B. REJAS SSRS, ESS	ENGR. ARTURO F. SALIH HEAD, ESS  GERALD DG. CONISE CHIEF, FAD  PRECIOSA CORAZON B. PABROA, Ph. D. CHIEF, NSD  GERARDO JOSE M. ROBLES END-USER, HEAD, GSS  VALLERIE ANN I. SAMSON, Ph. D. DEPUTY DIRECTOR	CARLO A. ARCILLA, Ph. D. DIRECTOR	ENGR. C. PELMONTE	A - 02
					CHECKED BY:	PAGE NO. OF TOTAL NO. OF PAGES
					DATE:	02 of 09


GENERAL NOTE: DRAWINGS MAY NOT BE IN SCALE. USE MARKED DIMENSIONS. VERIFY ACTUAL MEASUREMENTS. INFORM THE DESIGN TEAM OF ANY DISCREPANCIES FOUND IN THE DRAWINGS, DOCUMENTS, AND ACTUAL SITE CONDITIONS.

CENTRAL AVE. / NEW ERA UNIVERSITY

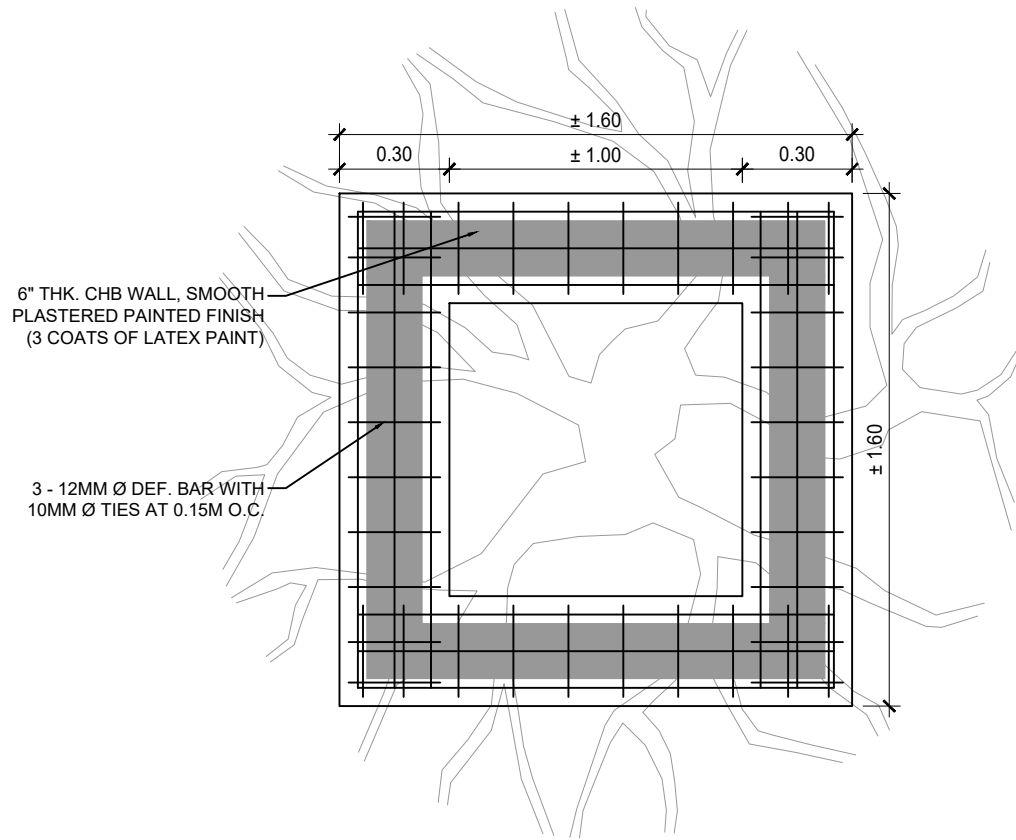


2  
A - 03 CONCRETE CURVES & GUTTER  
STRUCTURAL DETAILS  
SCALE NTS

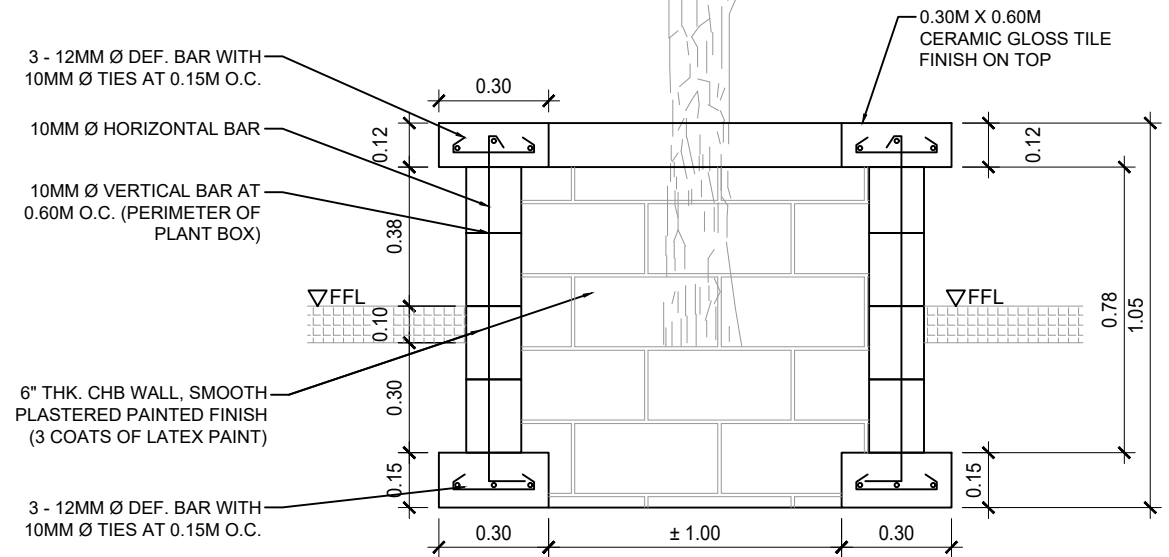
1  
A - 03 PATHWAY FOR PANELBOARD  
PROPOSED GROUND FLOOR PLAN  
SCALE NTS

 <p>Republic of the Philippines DEPARTMENT OF SCIENCE AND TECHNOLOGY PHILIPPINE NUCLEAR RESEARCH INSTITUTE COMMONWEALTH AVENUE, DILIMAN, QUEZON CITY</p>	<b>PROJECT TITLE:</b>	<b>SHEET CONTENT/S:</b>	<b>PREPARED BY:</b>	<b>RECOMMENDING APPROVALS:</b>	<b>APPROVED BY:</b>	<b>DRAWN BY:</b>	<b>SHEET NO.</b>
	REPAIR OF AGRI PATHWAY'S ROOF AND PROVISION OF PATHWAY FOR EXISTING PANEL BOARD AT BACK GATE GUARD HOUSE	PATHWAY FOR PANELBOARD - PROPOSED GROUND FLOOR PLAN CONCRETE CURVES & GUTTER - STRUCTURAL DETAILS	ENGR. ANDREW C. BARRIDA SSRS, ESS  ENGR. ROSALINO B. REJAS SSRS, ESS	ENGR. ARTURO F. SALIH HEAD, ESS  GERALD DG. CONISE CHIEF, FAD  PRECIOSA CORAZON B. PABROA, Ph. D. CHIEF, NSD  GERARDO JOSE M. ROBLES END-USER, HEAD, GSS  VALLERIE ANN I. SAMSON, Ph. D. DEPUTY DIRECTOR	CARLO A. ARCILLA, Ph. D. DIRECTOR	ENGR. C. PELMONTE  CHECKED BY:  DATE:	A - 03  PAGE NO. OF TOTAL NO. OF PAGES 03 OF 09

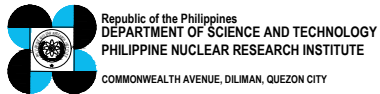
GENERAL NOTE: DRAWINGS MAY NOT BE IN SCALE. USE MARKED DIMENSIONS. VERIFY ACTUAL MEASUREMENTS. INFORM THE DESIGN TEAM OF ANY DISCREPANCIES FOUND IN THE DRAWINGS, DOCUMENTS, AND ACTUAL SITE CONDITIONS.



1 PLANT BOX  
TOP VIEW (DETAILS OF REBAR)  
A - 04 SCALE NTS



2 PLANT BOX  
SIDE SECTION (DETAILS OF REBAR)  
A - 04 SCALE NTS



**PROJECT TITLE:**  
REPAIR OF AGRI PATHWAY'S ROOF AND PROVISION OF  
PATHWAY FOR EXISTING PANEL BOARD AT BACK GATE  
GUARD HOUSE

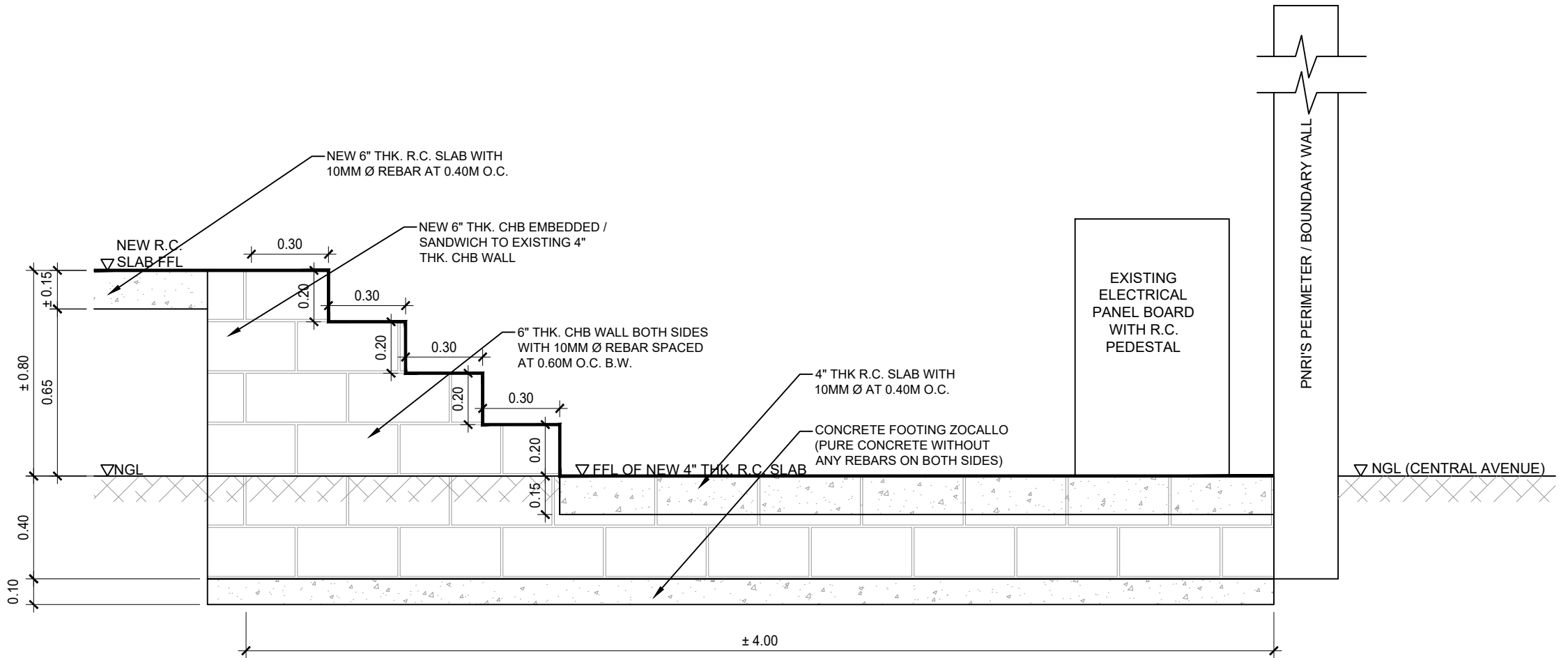
**SHEET CONTENT/S:**  
PLANT BOX  
- TOP VIEW (DETAILS OF REBAR)  
- SIDE SECTION (DETAILS OF  
REBAR)

**PREPARED BY:**  
ENGR. ANDREW C. BARRIDA  
SSRS, ESS  
ENGR. ROSALINO B. REJAS  
SSRS, ESS


**RECOMMENDING APPROVALS:**  
ENGR. ARTURO F. SALIH  
HEAD, ESS  
GERALD DG. CONISE  
CHIEF, FAD  
PRECIOSA CORAZON B. PABROA, Ph. D.  
CHIEF, NSD  
GERARDO JOSE M. ROBLES  
END-USER, HEAD, GSS  
VALLERIE ANN I. SAMSON, Ph. D.  
DEPUTY DIRECTOR

**APPROVED BY:**  
CARLO A. ARCILLA, Ph. D.  
DIRECTOR

**DRAWN BY:**  
ENGR. C. PELMONTE  
**CHECKED BY:**  
**DATE:**  
**SHEET NO.:**  
A - 04  
**PAGE NO. OF TOTAL  
NO. OF PAGES:**  
04 of 09



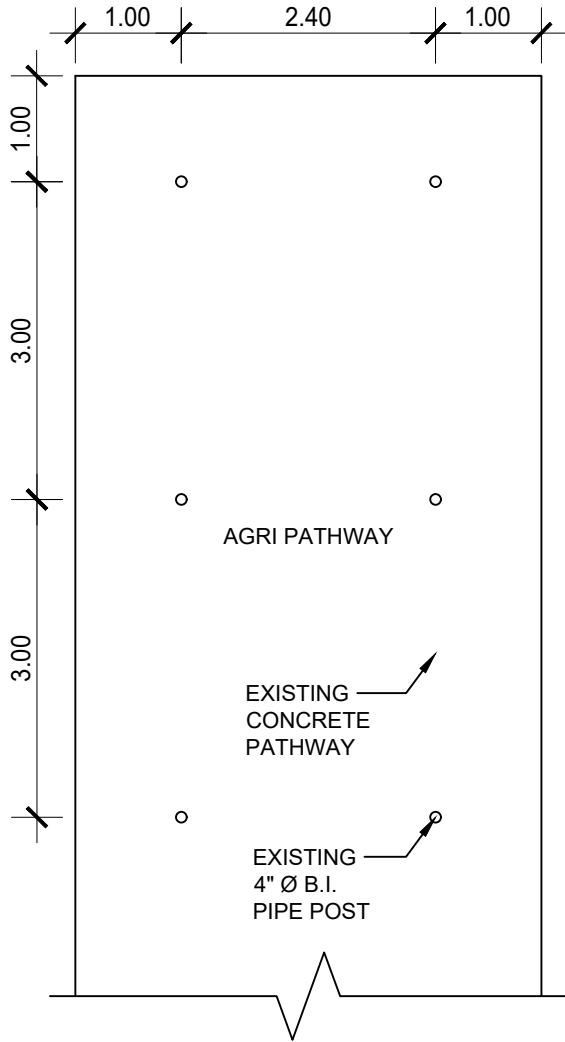
1  
A - 05 PATHWAY  
DETAIL OF CHB STAIR (SECTION A - A)  
SCALE NTS

 <p>Republic of the Philippines DEPARTMENT OF SCIENCE AND TECHNOLOGY PHILIPPINE NUCLEAR RESEARCH INSTITUTE COMMONWEALTH AVENUE, DILIMAN, QUEZON CITY</p>	<b>PROJECT TITLE:</b>	<b>SHEET CONTENT/S:</b>	<b>PREPARED BY:</b>	<b>RECOMMENDING APPROVALS:</b>	<b>APPROVED BY:</b>	<b>DRAWN BY:</b>	<b>SHEET NO.</b>	
	REPAIR OF AGRI PATHWAY'S ROOF AND PROVISION OF PATHWAY FOR EXISTING PANEL BOARD AT BACK GATE GUARD HOUSE	PLANT BOX - TOP VIEW (DETAILS OF REBAR) - SIDE SECTION (DETAILS OF REBAR)	ENGR. ANDREW C. BARRIDA SSRS, ESS	ENGR. ARTURO F. SALIH HEAD, ESS GERALD DG. CONISE CHIEF, FAD	GERARDO JOSE M. ROBLES END-USER, HEAD, GSS	ENGR. C. PELMONTE	A - 05	
			ENGR. ROSALINO B. REJAS SSRS, ESS	PRECIOSA CORAZON B. PABROA, Ph. D. CHIEF, NSD	VALLERIE ANN I. SAMSON, Ph. D. DEPUTY DIRECTOR	CARLO A. ARCILLA, Ph. D. DIRECTOR	DATE:	PAGE NO. OF TOTAL NO. OF PAGES
								05 of 09

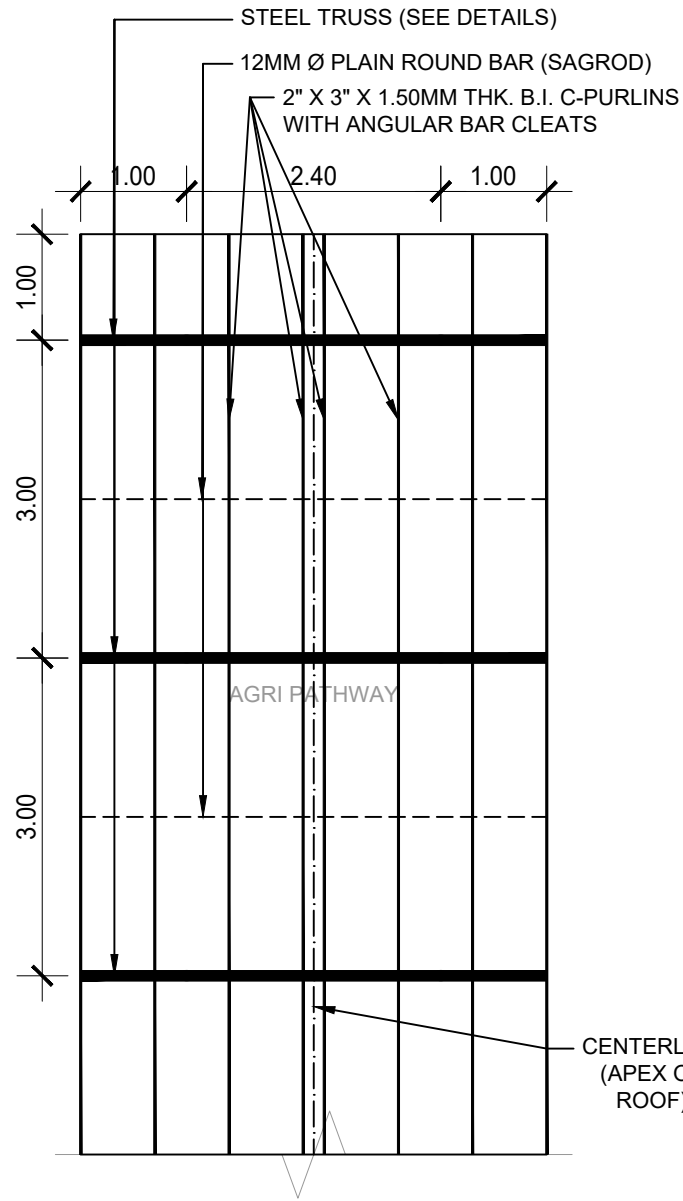
GENERAL NOTE: DRAWINGS MAY NOT BE IN SCALE. USE MARKED DIMENSIONS. VERIFY ACTUAL MEASUREMENTS. INFORM THE DESIGN TEAM OF ANY DISCREPANCIES FOUND IN THE DRAWINGS, DOCUMENTS, AND ACTUAL SITE CONDITIONS.

**LENGTH:**  
± 76.00M

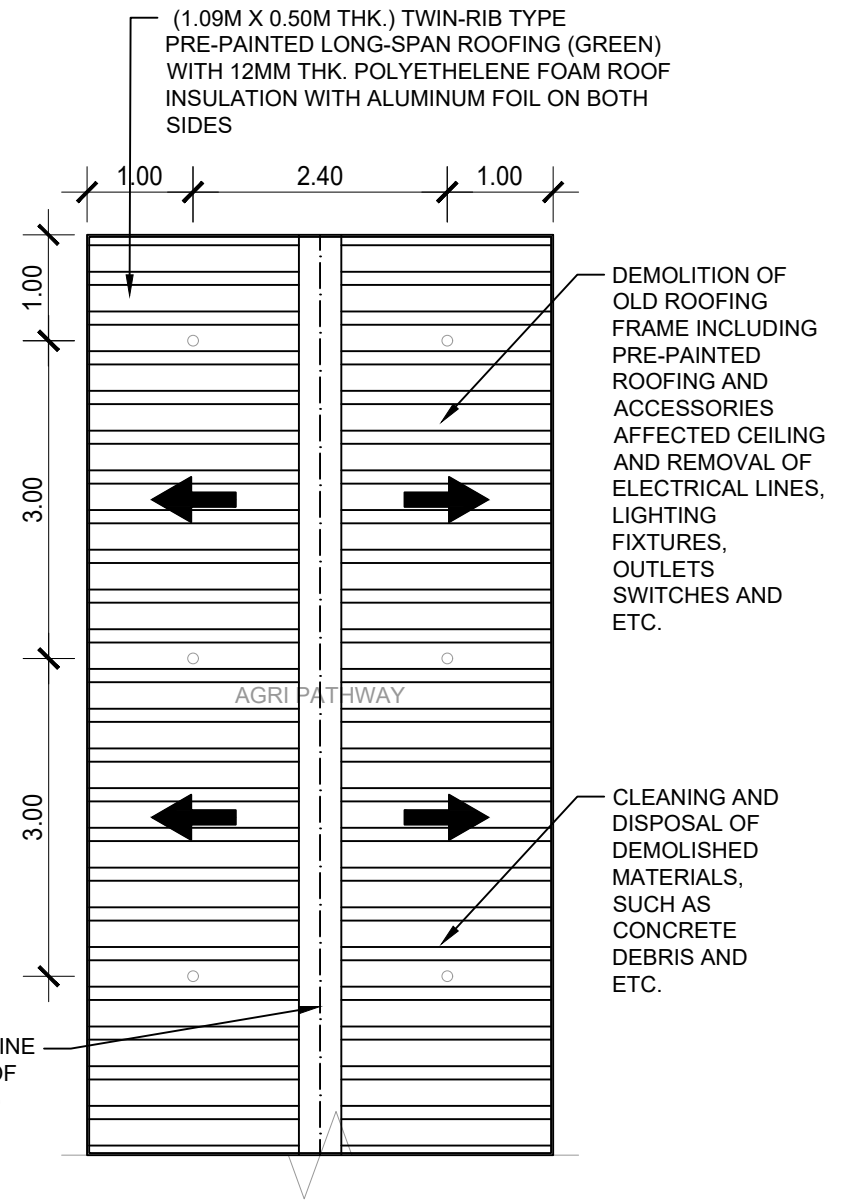
**TOTAL NO. OF POST:**  
25 POSTS (BOTH SIDES)  
-OR-  
50 POSTS (EACH)



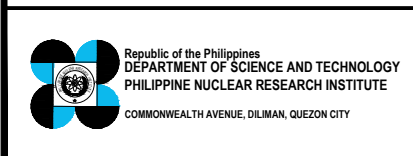
1  
A - 06  
AGRI PATHWAY  
GROUND FLOOR PLAN  
SCALE NTS



2  
A - 06  
AGRI PATHWAY  
ROOF FRAMING PLAN  
SCALE NTS



3  
A - 06  
AGRI PATHWAY  
ROOF PLAN  
SCALE NTS



**PROJECT TITLE:**  
REPAIR OF AGRI PATHWAY'S ROOF AND PROVISION OF PATHWAY FOR EXISTING PANEL BOARD AT BACK GATE GUARD HOUSE

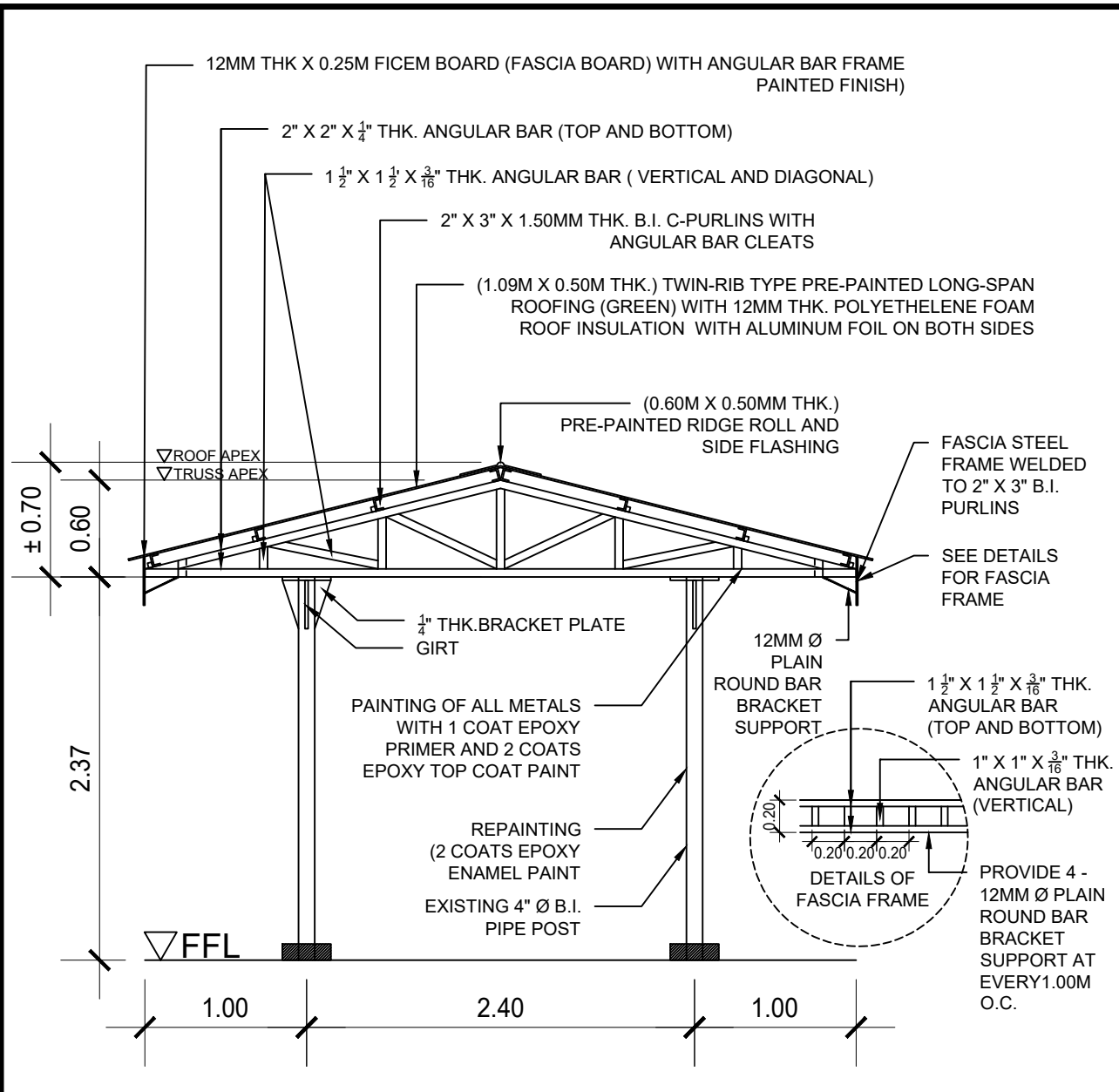
**SHEET CONTENT/S:**  
AGRI PATHWAY  
- GROUND FLOOR PLAN  
- ROOF FRAMING PLAN  
- ROOF PLAN

**PREPARED BY:**  
ENGR. ANDREW C. BARRIDA  
SSRS, ESS  
ENGR. ROSALINO B. REJAS  
SSRS, ESS

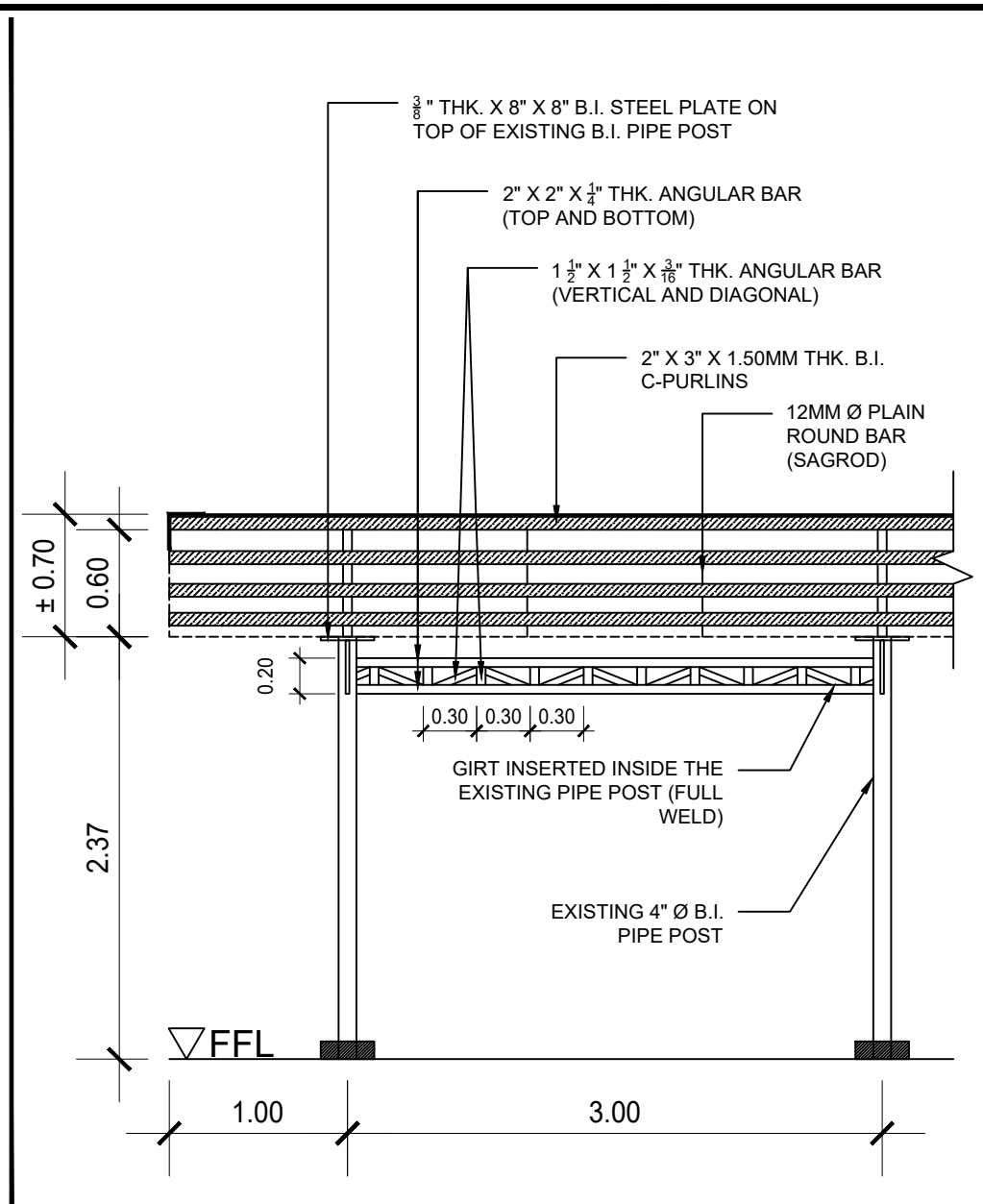
**RECOMMENDING APPROVALS:**  
ENGR. ARTURO F. SALIH  
HEAD, ESS  
GERALD DG. CONISE  
CHIEF, FAD  
PRECIOSA CORAZON B. PABROA, Ph. D.  
CHIEF, NSD  
GERARDO JOSE M. ROBLES  
END-USER, HEAD, GSS  
VALLERIE ANN I. SAMSON, Ph. D.  
DEPUTY DIRECTOR

**APPROVED BY:**  
CARLO A. ARCILLA, Ph. D.  
DIRECTOR

**DRAWN BY:**  
ENGR. C. PELMONTE  
**CHECKED BY:**  
**DATE:**  
**SHEET NO.:**  
A - 06  
**PAGE NO. OF TOTAL NO. OF PAGES:**  
06 of 09



1  
S-01 AGRI PATHWAY TRUSS DETAILS (FRONT ELEVATION)  
SCALE NTS

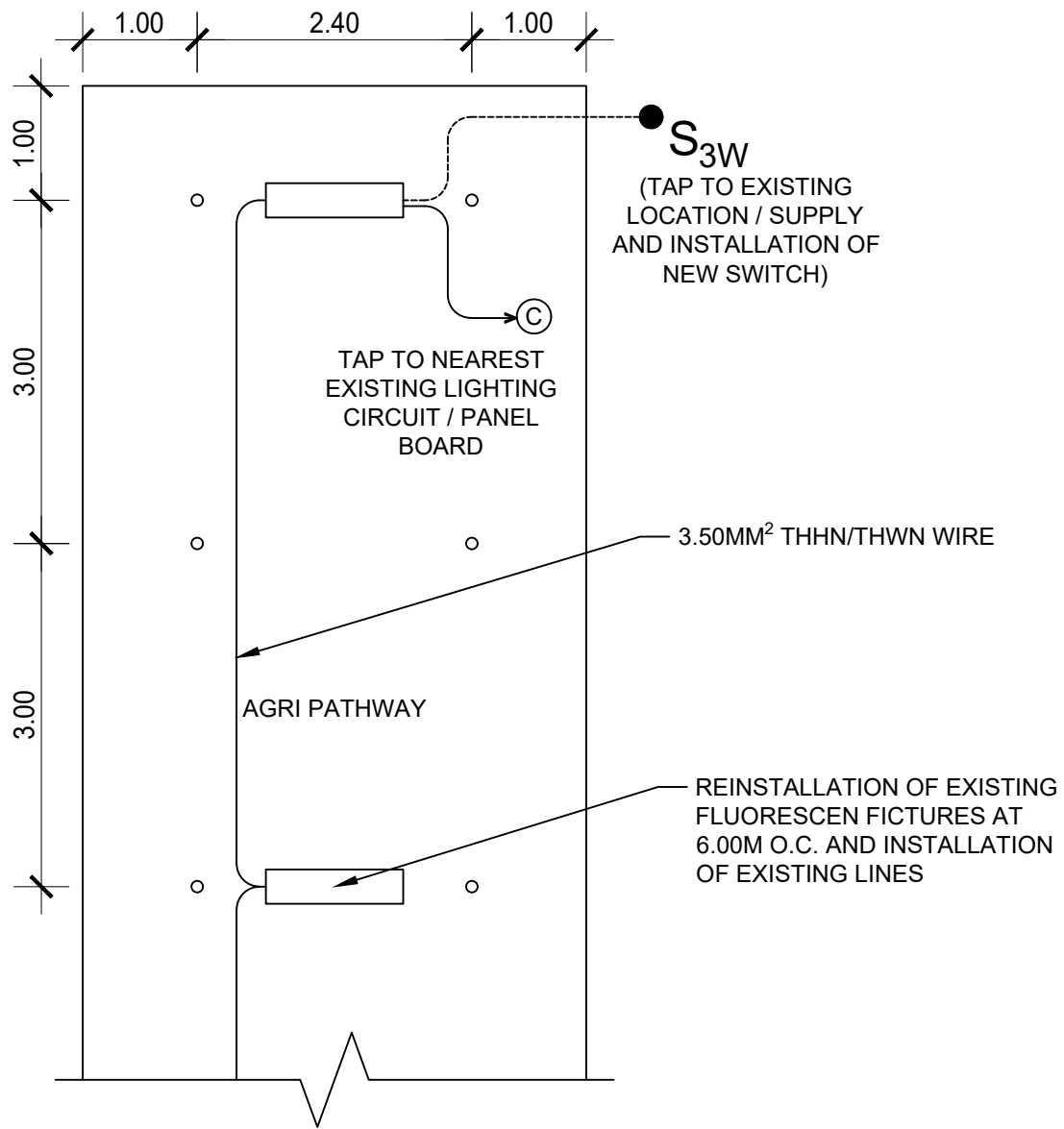


2  
S-01 AGRI PATHWAY TRUSS DETAILS (RIGHT SIDE ELEVATION)  
SCALE NTS

	<b>PROJECT TITLE:</b>	<b>SHEET CONTENT/S:</b>	<b>PREPARED BY:</b>	<b>RECOMMENDING APPROVALS:</b>	<b>APPROVED BY:</b>	<b>DRAWN BY:</b>	<b>SHEET NO.</b>
	REPAIR OF AGRI PATHWAY'S ROOF AND PROVISION OF PATHWAY FOR EXISTING PANEL BOARD AT BACK GATE GUARD HOUSE	AGRI PATHWAY - TRUSS DETAILS (FRONT ELEVATION) - TRUSS DETAILS (RIGHT SIDE ELEVATION)	ENGR. ANDREW C. BARRIDA SSRS, ESS	ENGR. ARTURO F. SALIH HEAD, ESS GERALD DG. CONISE CHIEF, FAD	GERARDO JOSE M. ROBLES END-USER, HEAD, GSS	ENGR. C. PELMONTE	S-01
			ENGR. ROSALINO B. REJAS SSRS, ESS	PRECIOSA CORAZON B. PABROA, Ph. D. CHIEF, NSD VALLERIE ANN I. SAMSON, Ph. D. DEPUTY DIRECTOR	CARLO A. ARCILLA, Ph. D. DIRECTOR	CHECKED BY:	PAGE NO. OF TOTAL NO. OF PAGES
						DATE:	07 of 09

GENERAL NOTE: DRAWINGS MAY NOT BE IN SCALE. USE MARKED DIMENSIONS. VERIFY ACTUAL MEASUREMENTS. INFORM THE DESIGN TEAM OF ANY DISCREPANCIES FOUND IN THE DRAWINGS, DOCUMENTS, AND ACTUAL SITE CONDITIONS.





LEGEND	
	EXISTING FLUORESCENT FIXTURE
	THREE-WAY SWITCH
	NEAREST EXISTING LIGHTING HOME RUN CIRCUIT

1  
E - 01 AGRI PATHWAY LIGHTING LAYOUT  
SCALE NTS

<p>Republic of the Philippines DEPARTMENT OF SCIENCE AND TECHNOLOGY PHILIPPINE NUCLEAR RESEARCH INSTITUTE COMMONWEALTH AVENUE, DILIMAN, QUEZON CITY</p>	<b>PROJECT TITLE:</b>	<b>SHEET CONTENT/S:</b>	<b>PREPARED BY:</b>	<b>RECOMMENDING APPROVALS:</b>	<b>APPROVED BY:</b>	<b>DRAWN BY:</b>	<b>SHEET NO.</b>	
	REPAIR OF AGRI PATHWAY'S ROOF AND PROVISION OF PATHWAY FOR EXISTING PANEL BOARD AT BACK GATE GUARD HOUSE	AGRI PATHWAY - LIGHTING LAYOUT	<u>ENGR. ANDREW C. BARRIDA</u> SSRS, ESS  <u>ENGR. ROSALINO B. REJAS</u> SSRS, ESS	<u>ENGR. ARTURO F. SALIH</u> HEAD, ESS  <u>GERALD DG. CONISE</u> CHIEF, FAD  <u>PRECIOSA CORAZON B. PABROA, Ph. D.</u> CHIEF, NSD  <u>GERARDO JOSE M. ROBLES</u> END-USER, HEAD, GSS  <u>VALLERIE ANN I. SAMSON, Ph. D.</u> DEPUTY DIRECTOR	<u>CARLO A. ARCILLA, Ph. D.</u> DIRECTOR	<u>ENGR. C. PELMONTE</u> CHECKED BY:  DATE:	<b>E - 01</b>  PAGE NO. OF TOTAL NO. OF PAGES <b>09 of 09</b>	

GENERAL NOTE: DRAWINGS MAY NOT BE IN SCALE. USE MARKED DIMENSIONS. VERIFY ACTUAL MEASUREMENTS. INFORM THE DESIGN TEAM OF ANY DISCREPANCIES FOUND IN THE DRAWINGS, DOCUMENTS, AND ACTUAL SITE CONDITIONS.