
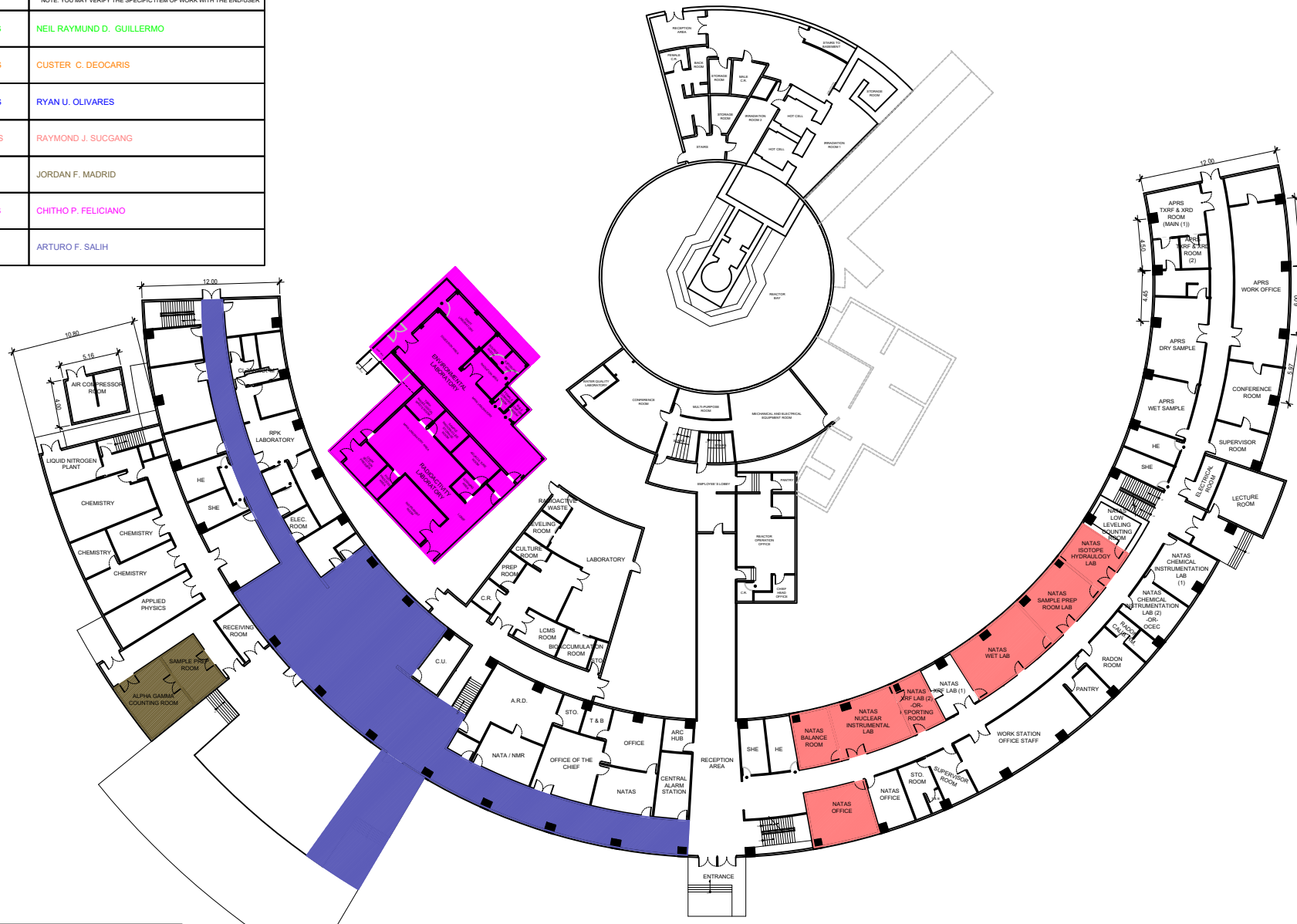


1
A - 01
PNRI COMPOUND
SITE DEVELOPMENT PLAN
SCALE NTS

 Republic of the Philippines DEPARTMENT OF SCIENCE AND TECHNOLOGY PHILIPPINE NUCLEAR RESEARCH INSTITUTE COMMONWEALTH AVENUE, DILIMAN, QUEZON CITY	PROJECT TITLE:	SHEET CONTENT/S:	PREPARED BY:	RECOMMENDING APPROVALS:	APPROVED BY:	DRAWN BY:	SHEET NO.
	UPGRADING OF ARC BUILDING (C.Y. 2025)	PNRI COMPOUND - SITE DEVELOPMENT PLAN	ENGR. ANDREW C. BARRIDA SSRS, ESS ENGR. ROSALINO B. REJAS SSRS, ESS	ENGR. ARTURO F. SALIH ESS, HEAD NEIL RAYMUND D. GUILLERMO, M. Sc CHIEF, ARD ENGR. HAYDEE M. SOLOMON OIC-CHIEF, NSD	CHITHO P. FELICIANO, Ph.D. END-USER, HEAD, HPRS VALLERIE ANN I. SAMSON, Ph. D. DEPUTY DIRECTOR	CARLO A. ARCILLA, Ph. D. DIRECTOR	ENGR. C. PELMONTE CHECKED BY: DATE:


GENERAL NOTE: DRAWINGS MAY NOT BE IN SCALE. USE MARKED DIMENSIONS. VERIFY ACTUAL MEASUREMENTS. INFORM THE DESIGN TEAM OF ANY DISCREPANCIES FOUND IN THE DRAWINGS, DOCUMENTS, AND ACTUAL SITE CONDITIONS.

COLOR CODE	SECTION	END-USER **NOTE: YOU MAY VERIFY THE SPECIFIC ITEM OF WORK WITH THE END-USER
■	APRS	NEIL RAYMUND D. GUILLERMO
■	BMRS	CUSTER C. DEOCARIS
■	NROS	RYAN U. OLIVARES
■	NATAS	RAYMOND J. SUCGANG
■	CRS	JORDAN F. MADRID
■	HPRS	CHITHO P. FELICIANO
■	ESS	ARTURO F. SALIH



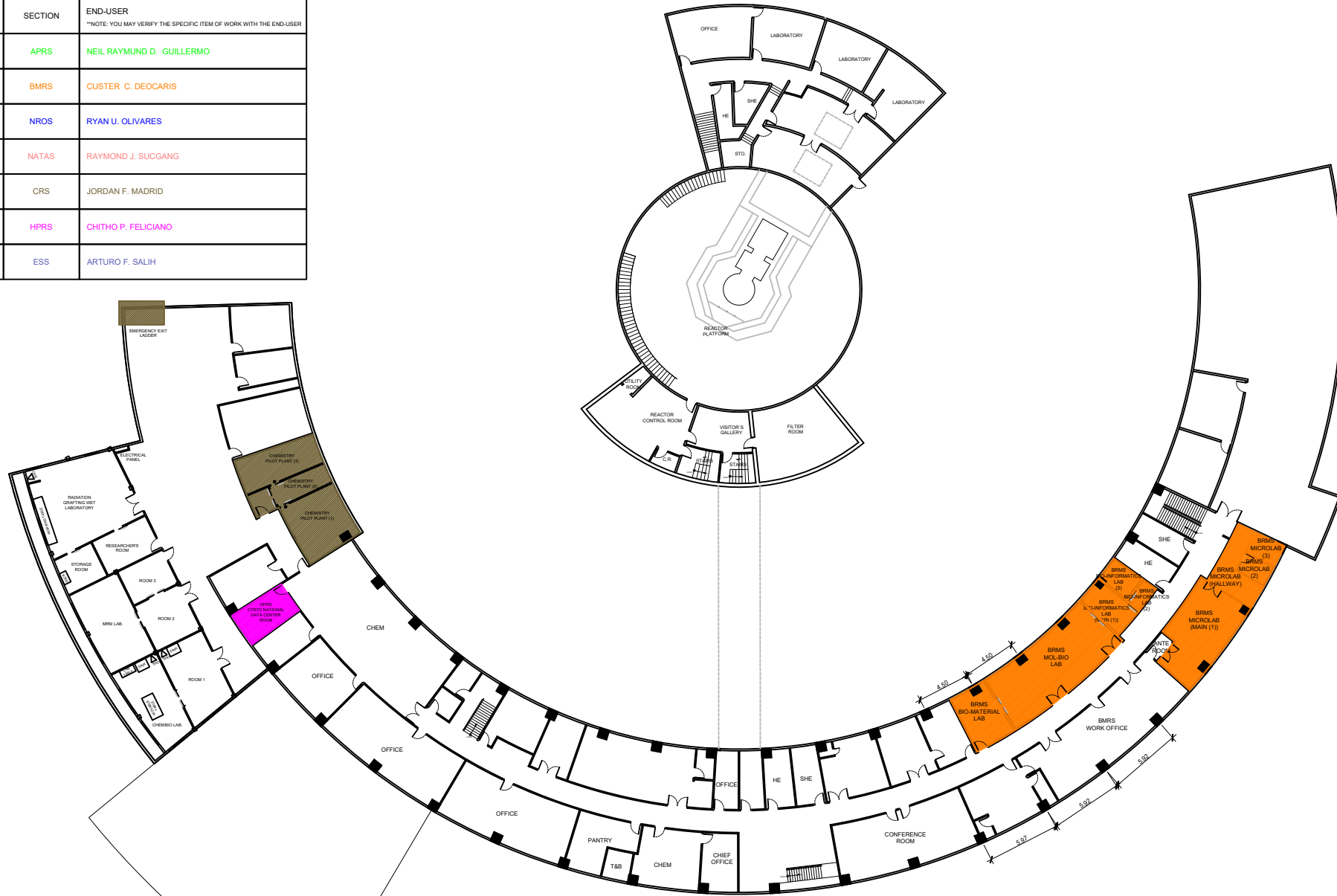
NOTE:
ALL HIGHLIGHTED AREAS MAINLY PERTAINS TO ARCHITECTURAL AND CIVIL PROGRAM OF WORKS. KINDLY REFER TO THE MEPFS DRAWING PLANS FOR THEIR RESPECTIVE PROGRAM OF WORKS

1
A - 03 ARC BUILDING
GROUND FLOOR PLAN
SCALE NTS

 <p>Republic of the Philippines DEPARTMENT OF SCIENCE AND TECHNOLOGY PHILIPPINE NUCLEAR RESEARCH INSTITUTE COMMONWEALTH AVENUE, DILIMAN, QUEZON CITY</p>	PROJECT TITLE:	SHEET CONTENT/S:	PREPARED BY:	RECOMMENDING APPROVALS:	APPROVED BY:	DRAWN BY:	SHEET NO.
	UPGRADING OF ARC BUILDING (C.Y. 2025)	ARC BUILDING - GROUND FLOOR PLAN	ENGR. ANDREW C. BARRIDA SSRS, ESS	ENGR. ARTURO F. SALIH ESS, HEAD CHITHO P. FELICIANO, Ph.D. END-USER, HEAD, HPRS	ENGR. C. PELMONTE	A - 03	
			ENGR. ROSALINO B. REJAS SSRS, ESS	NEIL RAYMUND D. GUILLERMO, M. Sc CHIEF, ARD	CARLO A. ARCILLA, Ph. D. DIRECTOR	PAGE NO. OF TOTAL NO. OF PAGES	03 of 84
			ENGR. HAYDEE M. SOLOMON OIC-CHIEF, NSD	VALLERIE ANN I. SAMSON, Ph. D. DEPUTY DIRECTOR	DATE:		

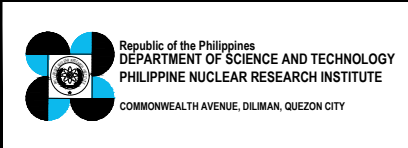
GENERAL NOTE: DRAWINGS MAY NOT BE IN SCALE. USE MARKED DIMENSIONS. VERIFY ACTUAL MEASUREMENTS. INFORM THE DESIGN TEAM OF ANY DISCREPANCIES FOUND IN THE DRAWINGS, DOCUMENTS, AND ACTUAL SITE CONDITIONS.

COLOR CODE	SECTION	END-USER <small>**NOTE: YOU MAY VERIFY THE SPECIFIC ITEM OF WORK WITH THE END-USER</small>
■	APRS	NEIL RAYMUND D. GUILLERMO
■	BMRS	CUSTER C. DEOCARIS
■	NROS	RYAN U. OLIVARES
■	NATAS	RAYMOND J. SUCGANG
■	CRS	JORDAN F. MADRID
■	HPRS	CHITHO P. FELICIANO
■	ESS	ARTURO F. SALIH



NOTE:
ALL HIGHLIGHTED AREAS MAINLY PERTAINS TO ARCHITECTURAL AND CIVIL PROGRAM OF WORKS. KINDLY REFER TO THE MEPFS DRAWING PLANS FOR THEIR RESPECTIVE PROGRAM OF WORKS

1
A - 04
ARC BUILDING
SECOND FLOOR PLAN
SCALE _____ NTS



PROJECT TITLE:
UPGRADING OF ARC BUILDING (C.Y. 2025)

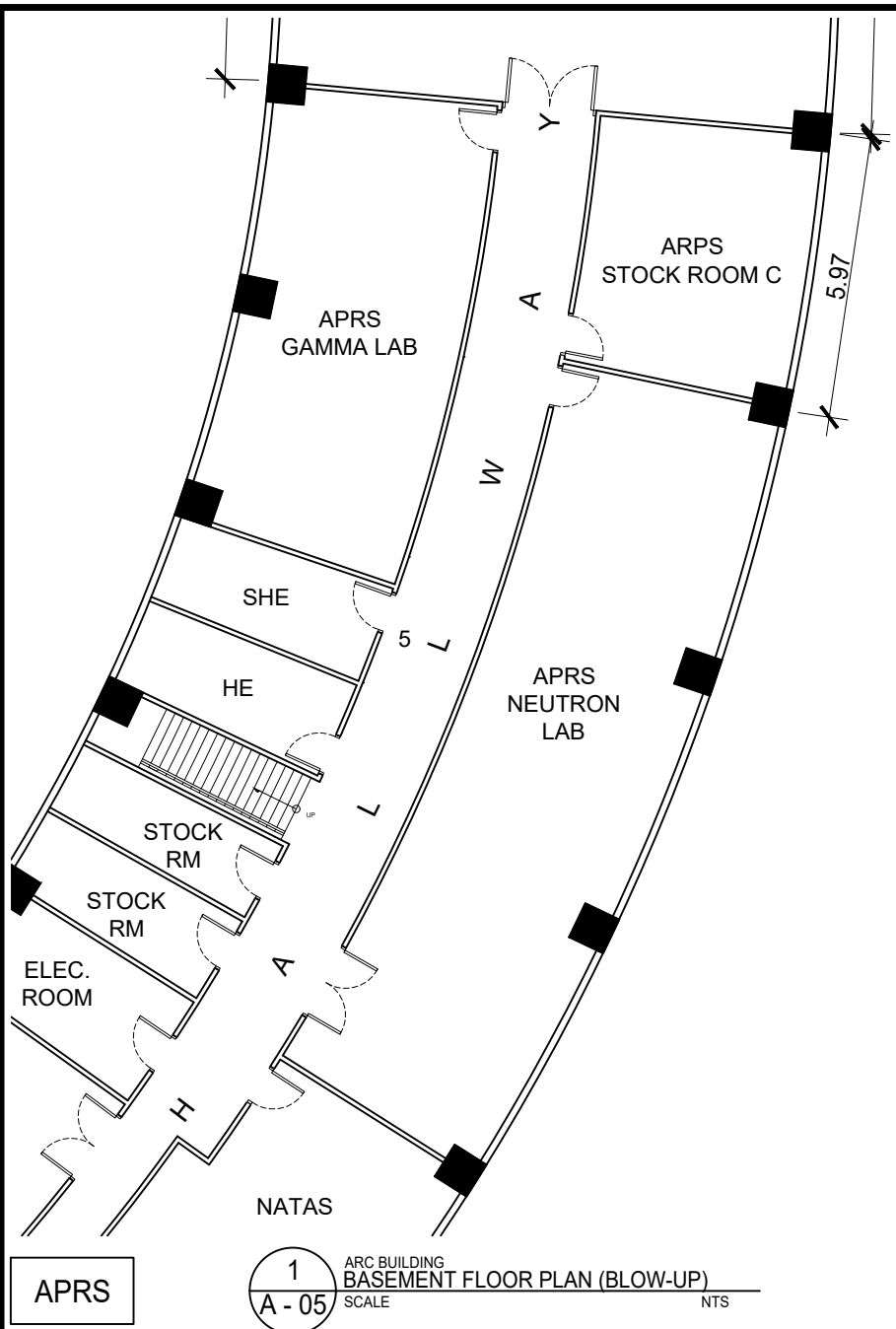
SHEET CONTENT/S:
ARC BUILDING
- SECOND FLOOR PLAN

PREPARED BY:
ENGR. ANDREW C. BARRIDA
SSRS, ESS
ENGR. ROSALINO B. REJAS
SSRS, ESS

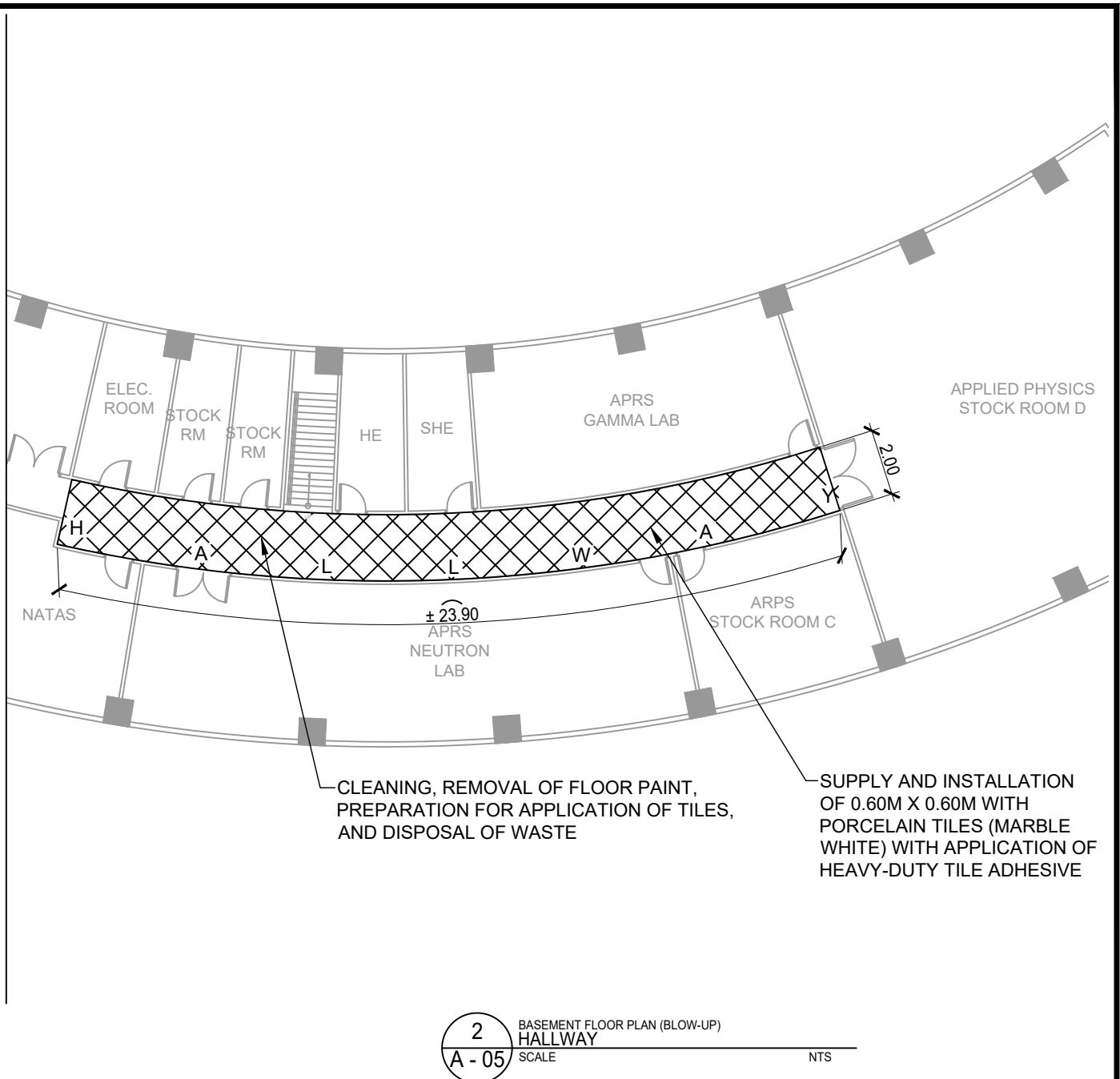
RECOMMENDING APPROVALS:
ENGR. ARTURO F. SALIH
ESS, HEAD
NEIL RAYMUND D. GUILLERMO, M. Sc
CHIEF, ARD
ENGR. HAYDEE M. SOLOMON
OIC-CHIEF, NSD
CHITHO P. FELICIANO, Ph.D.
END-USER, HEAD, HPRS
VALLERIE ANN I. SAMSON, Ph. D.
DEPUTY DIRECTOR

APPROVED BY:
CARLO A. ARCILLA, Ph. D.
DIRECTOR

DRAWN BY:
ENGR. C. PELMONTE
CHECKED BY:
DATE:
SHEET NO.
A - 04
PAGE NO. OF TOTAL NO. OF PAGES
04 of 84



1 ARC BUILDING
BASEMENT FLOOR PLAN (BLOW-UP)
 SCALE NTS

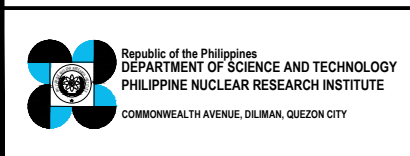


2 BASEMENT FLOOR PLAN (BLOW-UP)
HALLWAY
 SCALE NTS

CLEANING, REMOVAL OF FLOOR PAINT,
 PREPARATION FOR APPLICATION OF TILES,
 AND DISPOSAL OF WASTE

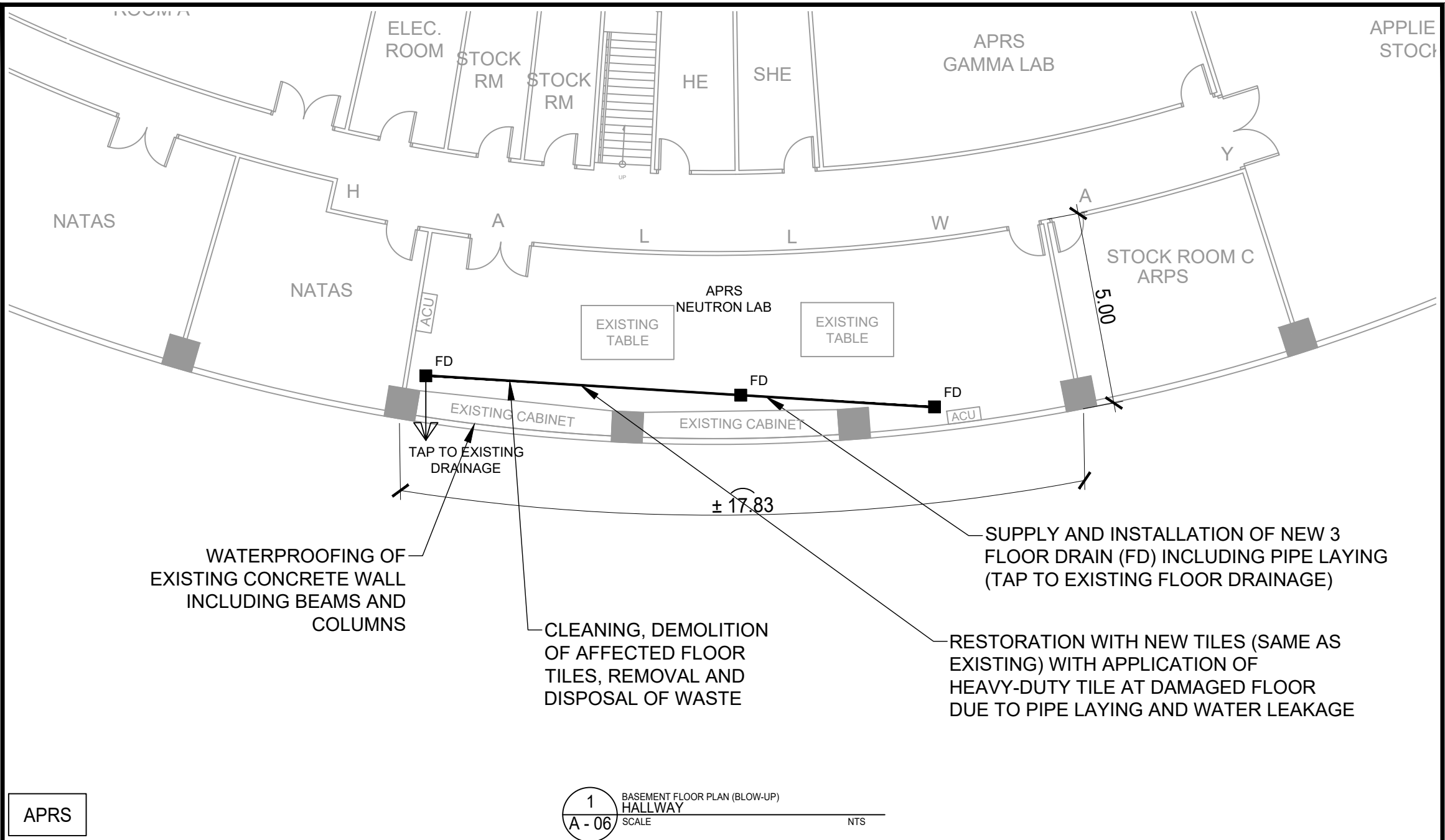
SUPPLY AND INSTALLATION
 OF 0.60M X 0.60M WITH
 PORCELAIN TILES (MARBLE
 WHITE) WITH APPLICATION OF
 HEAVY-DUTY TILE ADHESIVE

APRS




PROJECT TITLE:	SHEET CONTENT/S:	PREPARED BY:	RECOMMENDING APPROVALS:	APPROVED BY:	DRAWN BY:	SHEET NO.
UPGRADING OF ARC BUILDING (C.Y. 2025)	ARC BUILDING - BASEMENT FLOOR PLAN (BLOW-UP) BASEMENT FLOOR PLAN (BLOW-UP) - HALLWAY	<u>ENGR. ANDREW C. BARRIDA</u> <small>SSRS, ESS</small> <u>ENGR. ROSALINO B. REJAS</u> <small>SSRS, ESS</small>	<u>ENGR. ARTURO F. SALIH</u> <small>ESS, HEAD</small> <u>CHITHO P. FELICIANO, Ph.D.</u> <small>END-USER, HEAD, HPRS</small> <u>NEIL RAYMUND D. GUILLERMO, M. Sc</u> <small>CHIEF, ARD</small> <u>ENGR. HAYDEE M. SOLOMON</u> <small>OTC-CHIEF, NSD</small> <u>VALLERIE ANN I. SAMSON, Ph. D.</u> <small>DEPUTY DIRECTOR</small>	<u>CARLO A. ARCILLA, Ph. D.</u> <small>DIRECTOR</small>	ENGR. C. PELMONTE CHECKED BY: DATE:	A - 05 PAGE NO. OF TOTAL NO. OF PAGES 05 of 84

GENERAL NOTE: DRAWINGS MAY NOT BE IN SCALE. USE MARKED DIMENSIONS. VERIFY ACTUAL MEASUREMENTS. INFORM THE DESIGN TEAM OF ANY DISCREPANCIES FOUND IN THE DRAWINGS, DOCUMENTS, AND ACTUAL SITE CONDITIONS.

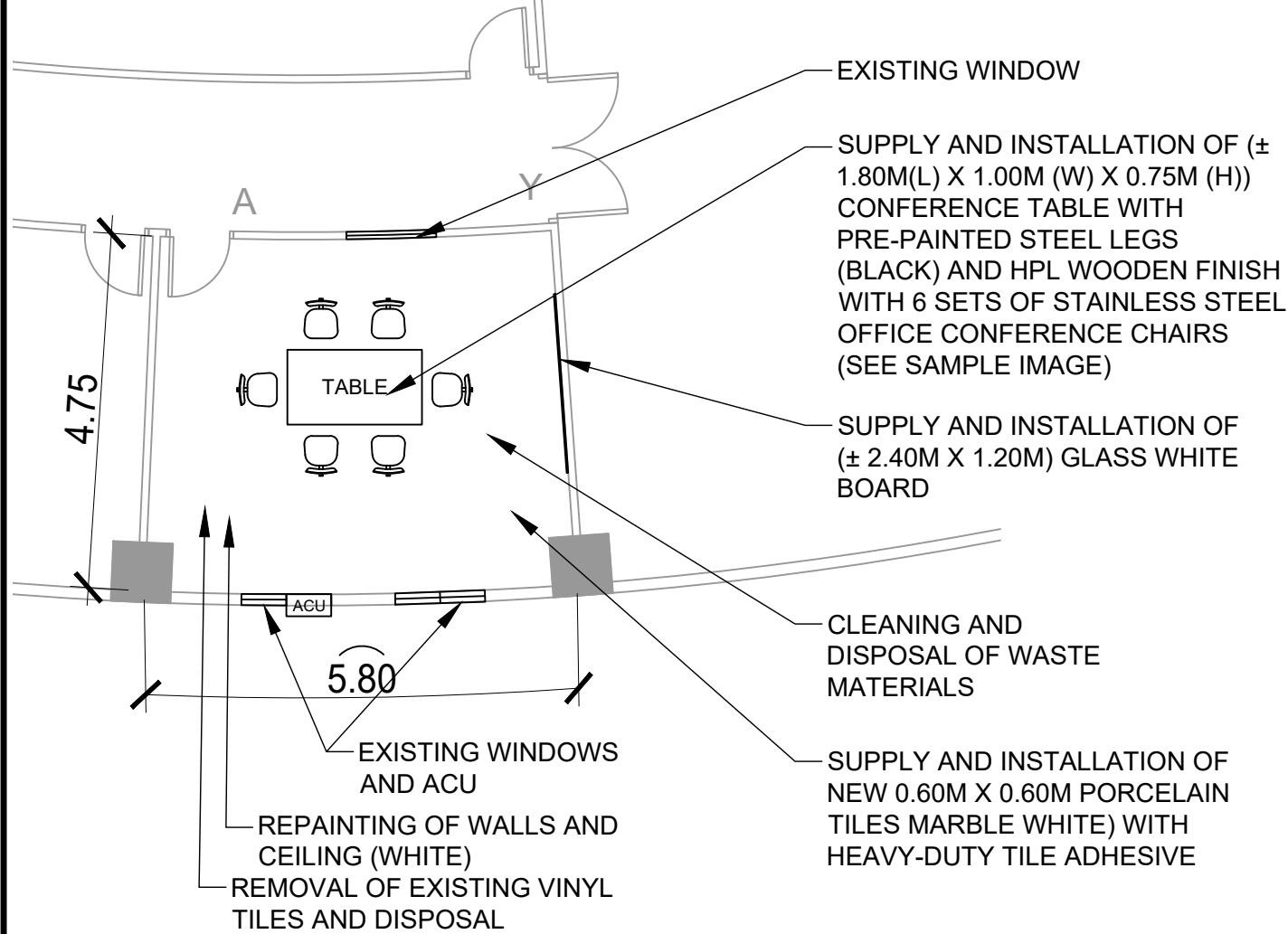


APRS

1
A - 06
BASEMENT FLOOR PLAN (BLOW-UP)
HALLWAY
SCALE NTS

 Republic of the Philippines DEPARTMENT OF SCIENCE AND TECHNOLOGY PHILIPPINE NUCLEAR RESEARCH INSTITUTE COMMONWEALTH AVENUE, DILIMAN, QUEZON CITY	PROJECT TITLE:	SHEET CONTENT/S:	PREPARED BY:	RECOMMENDING APPROVALS:	APPROVED BY:	DRAWN BY:	SHEET NO.
	UPGRADING OF ARC BUILDING (C.Y. 2025)	BASEMENT FLOOR PLAN (BLOW-UP) - HALLWAY	ENGR. ANDREW C. BARRIDA <small>SSRS, ESS</small> ENGR. ROSALINO B. REJAS <small>SSRS, ESS</small>	ENGR. ARTURO F. SALIH <small>ESS, HEAD</small> NEIL RAYMUND D. GUILLERMO, M. Sc <small>CHIEF, ARD</small> ENGR. HAYDEE M. SOLOMON <small>OIC-CHIEF, NSD</small>	CHITHO P. FELICIANO, Ph.D. <small>END-USER, HEAD, HPRS</small> VALLERIE ANN I. SAMSON, Ph. D. <small>DEPUTY DIRECTOR</small>	CARLO A. ARCILLA, Ph. D. <small>DIRECTOR</small>	ENGR. C. PELMONTE <small>CHECKED BY:</small> DATE:

GENERAL NOTE: DRAWINGS MAY NOT BE IN SCALE. USE MARKED DIMENSIONS. VERIFY ACTUAL MEASUREMENTS. INFORM THE DESIGN TEAM OF ANY DISCREPANCIES FOUND IN THE DRAWINGS, DOCUMENTS, AND ACTUAL SITE CONDITIONS.



2
A - 07
PROPOSED OJT'S ROOM
SAMPLE IMAGE FOR TABLE AND CHAIRS
SCALE NTS

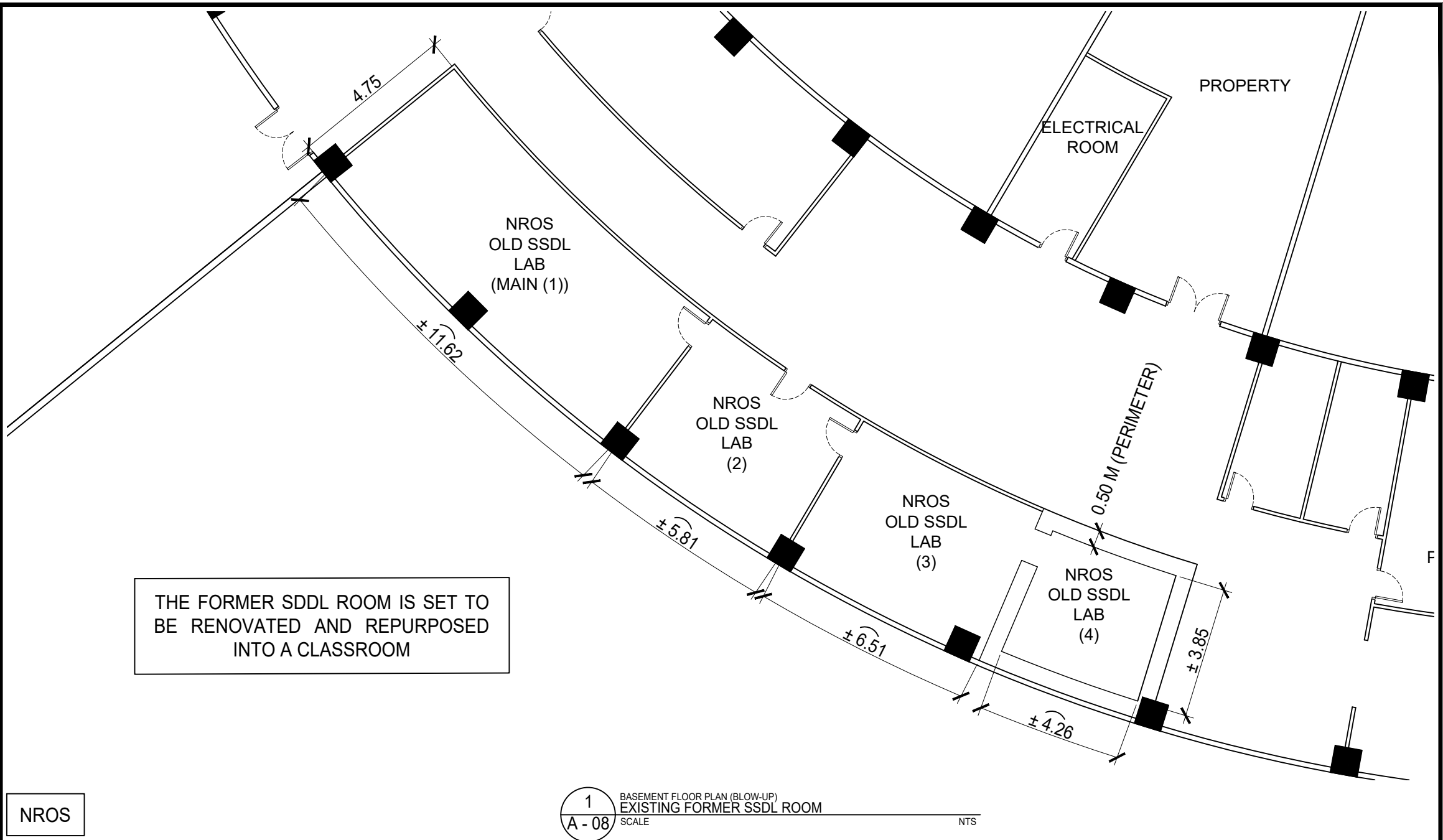


1
A - 07
BASEMENT FLOOR PLAN (BLOW-UP)
PROPOSED OJT'S ROOM (FORMERLY STOCKROOM C)
SCALE NTS

APRS


<p>Republic of the Philippines DEPARTMENT OF SCIENCE AND TECHNOLOGY PHILIPPINE NUCLEAR RESEARCH INSTITUTE COMMONWEALTH AVENUE, DILIMAN, QUEZON CITY</p>	PROJECT TITLE:	SHEET CONTENT/S:	PREPARED BY:	RECOMMENDING APPROVALS:	APPROVED BY:	DRAWN BY:	SHEET NO.
	UPGRADING OF ARC BUILDING (C.Y. 2025)	BASEMENT FLOOR PLAN (BLOW-UP) - PROPOSED OJT'S ROOM (FORMERLY STOCKROOM C) - PROPOSED OJT'S ROOM - SAMPLE IMAGE FOR TABLE AND CHAIRS	ENGR. ANDREW C. BARRIDA SSRS, ESS	ENGR. ARTURO F. SALIH ESS, HEAD CHITHO P. FELICIANO, Ph.D. END-USER, HEAD, HPRS NEIL RAYMUND D. GUILLERMO, M. Sc CHIEF, ARD	CARLO A. ARCILLA, Ph. D. DIRECTOR	ENGR. C. PELMONTE	A - 07
			ENGR. ROSALINO B. REJAS SSRS, ESS	ENGR. HAYDEE M. SOLOMON OIC-CHIEF, NSD VALLERIE ANN I. SAMSON, Ph. D. DEPUTY DIRECTOR		CHECKED BY:	
						DATE:	PAGE NO. OF TOTAL NO. OF PAGES 07 of 84

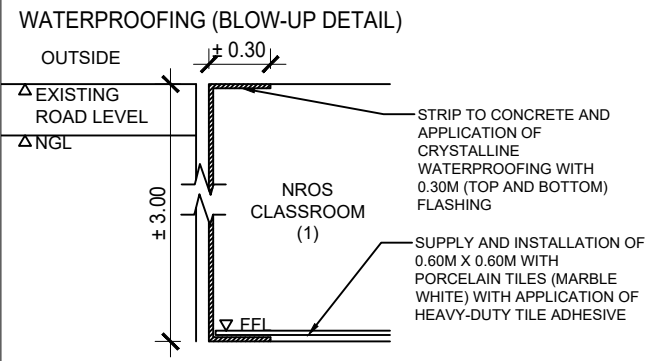
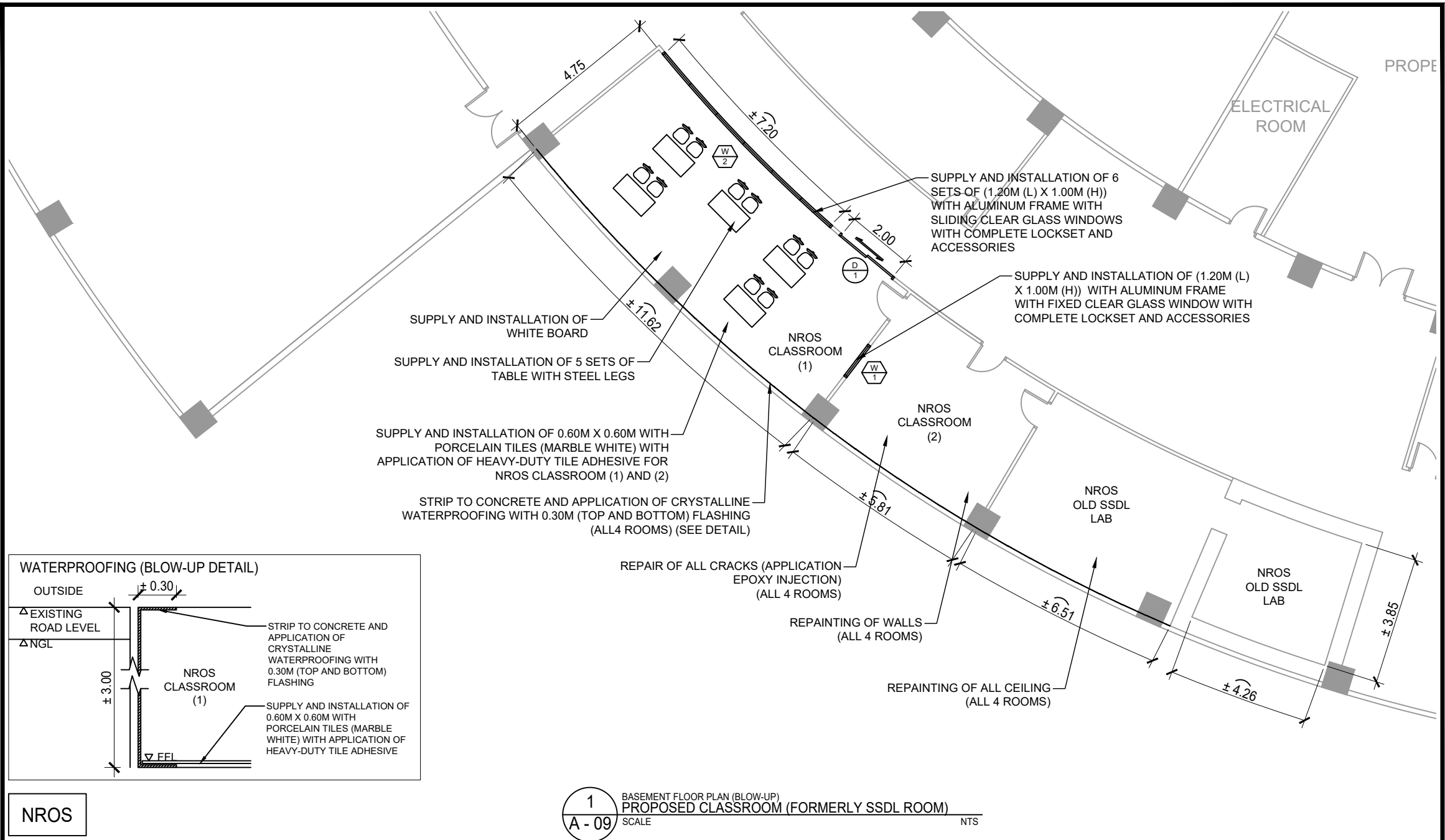
GENERAL NOTE: DRAWINGS MAY NOT BE IN SCALE. USE MARKED DIMENSIONS. VERIFY ACTUAL MEASUREMENTS. INFORM THE DESIGN TEAM OF ANY DISCREPANCIES FOUND IN THE DRAWINGS, DOCUMENTS, AND ACTUAL SITE CONDITIONS.



NROS


1
A - 08
BASEMENT FLOOR PLAN (BLOW-UP)
EXISTING FORMER SDDL ROOM
SCALE NTS

 <p>Republic of the Philippines DEPARTMENT OF SCIENCE AND TECHNOLOGY PHILIPPINE NUCLEAR RESEARCH INSTITUTE COMMONWEALTH AVENUE, DILIMAN, QUEZON CITY</p>	PROJECT TITLE:	SHEET CONTENT/S:	PREPARED BY:	RECOMMENDING APPROVALS:	APPROVED BY:	DRAWN BY:	SHEET NO.
	UPGRADING OF ARC BUILDING (C.Y. 2025)	BASEMENT FLOOR PLAN (BLOW-UP) - EXISTING FORMER SDDL ROOM	<u>ENGR. ANDREW C. BARRIDA</u> SSRS, ESS <u>ENGR. ROSALINO B. REJAS</u> SSRS, ESS	<u>ENGR. ARTURO F. SALIH</u> ESS, HEAD <u>NEIL RAYMUND D. GUILLERMO, M. Sc</u> CHIEF, ARD <u>ENGR. HAYDEE M. SOLOMON</u> OIC-CHIEF, NSD <u>CHITHO P. FELICIANO, Ph.D.</u> END-USER, HEAD, HPRS <u>VALLERIE ANN I. SAMSON, Ph. D.</u> DEPUTY DIRECTOR	<u>CARLO A. ARCILLA, Ph. D.</u> DIRECTOR	<u>ENGR. C. PELMONTE</u> CHECKED BY: DATE:	A - 08 PAGE NO. OF TOTAL NO. OF PAGES 08 of 84
	GENERAL NOTE: DRAWINGS MAY NOT BE IN SCALE. USE MARKED DIMENSIONS. VERIFY ACTUAL MEASUREMENTS. INFORM THE DESIGN TEAM OF ANY DISCREPANCIES FOUND IN THE DRAWINGS, DOCUMENTS, AND ACTUAL SITE CONDITIONS.						



NROS

1 BASEMENT FLOOR PLAN (BLOW-UP)
 A - 09 PROPOSED CLASSROOM (FORMERLY SSDL ROOM)
 SCALE NTS

 Republic of the Philippines DEPARTMENT OF SCIENCE AND TECHNOLOGY PHILIPPINE NUCLEAR RESEARCH INSTITUTE COMMONWEALTH AVENUE, DILIMAN, QUEZON CITY	PROJECT TITLE:	SHEET CONTENT/S:	PREPARED BY:	RECOMMENDING APPROVALS:	APPROVED BY:	DRAWN BY:	SHEET NO.
	UPGRADING OF ARC BUILDING (C.Y. 2025)	BASEMENT FLOOR PLAN (BLOW-UP) - PROPOSED CLASSROOM (FORMERLY SSDL ROOM)	ENGR. ANDREW C. BARRIDA SSRS, ESS ENGR. ROSALINO B. REJAS SSRS, ESS	ENGR. ARTURO F. SALIH ESS, HEAD NEIL RAYMUND D. GUILLERMO, M. Sc CHIEF, ARD ENGR. HAYDEE M. SOLOMON OIC-CHIEF, NSD	CHITHO P. FELICIANO, Ph.D. END-USER, HEAD, HPRS VALLERIE ANN I. SAMSON, Ph. D. DEPUTY DIRECTOR	CARLO A. ARCILLA, Ph. D. DIRECTOR	ENGR. C. PELMONTE

GENERAL NOTE: DRAWINGS MAY NOT BE IN SCALE. USE MARKED DIMENSIONS. VERIFY ACTUAL MEASUREMENTS. INFORM THE DESIGN TEAM OF ANY DISCREPANCIES FOUND IN THE DRAWINGS, DOCUMENTS, AND ACTUAL SITE CONDITIONS.

ELEVATION		
	DESIGNATION	
WINDOW TYPE	SLIDING	FIXED
NO. OF PANELS	12 PANELS	1 PANEL
WINDOW SIZE	1.00M X 1.20M	1.00M X 1.20M
LOCATION	BASEMENT FLOOR	BASEMENT FLOOR
REMARKS	SLIDING ANALOK ALUMINUM FRAME WITH 1/4" THK. BRONZE GLASS WITH 2" X 4" ANALOK ALUMINUM TUBULAR FRAME	FIXED ANALOK ALUMINUM FRAME WITH 1/4" THK. BRONZE GLASS WITH 2" X 4" ANALOK ALUMINUM TUBULAR FRAME
NO. OF SETS	1 SET	1 SET

ELEVATION	
	DESIGNATION
DOOR TYPE	SLIDING
NO. OF PANELS	2 PANELS
DOOR SIZE	2.00 M X 2.10M
LOCATION	BASEMENT FLOOR
REMARKS	SLIDING ANALOK ALUMINUM FRAME WITH 1/4" THK. BRONZE GLASS WITH 2" X 4" ANALOK ALUMINUM TUBULAR FRAME
NO. OF SETS	1 SET

NROS

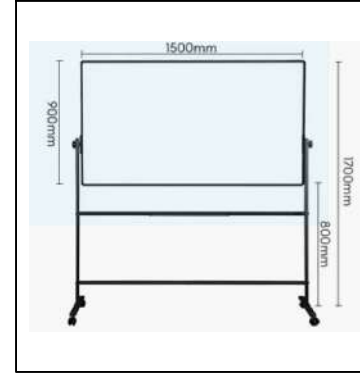
NROS CLASSROOM
DOOR AND WINDOWS SCHEDULE
 SCALE _____ NTS

Republic of the Philippines DEPARTMENT OF SCIENCE AND TECHNOLOGY PHILIPPINE NUCLEAR RESEARCH INSTITUTE COMMONWEALTH AVENUE, DILIMAN, QUEZON CITY	PROJECT TITLE:	SHEET CONTENT/S:	PREPARED BY:	RECOMMENDING APPROVALS:	APPROVED BY:	DRAWN BY: ENGR. C. PELMONTE CHECKED BY: DATE:	SHEET NO. A - 10 <small>PAGE NO. OF TOTAL NO. OF PAGES</small> 10 OF 84
	UPGRADING OF ARC BUILDING (C.Y. 2025)	NROS CLASSROOM - DOOR AND WINDOWS SCHEDULE	ENGR. ANDREW C. BARRIDA <small>SSRS, ESS</small> ENGR. ROSALINO B. REJAS <small>SSRS, ESS</small>	ENGR. ARTURO F. SALIH <small>ESS, HEAD</small> NEIL RAYMUND D. GUILLERMO, M. Sc <small>CHIEF, ARD</small> ENGR. HAYDEE M. SOLOMON <small>OIC-CHIEF, NSD</small>	CHITHO P. FELICIANO, Ph.D. <small>END-USER, HEAD, HPRS</small> VALLERIE ANN I. SAMSON, Ph. D. <small>DEPUTY DIRECTOR</small>	CARLO A. ARCILLA, Ph. D. <small>DIRECTOR</small>	

GENERAL NOTE: DRAWINGS MAY NOT BE IN SCALE. USE MARKED DIMENSIONS. VERIFY ACTUAL MEASUREMENTS. INFORM THE DESIGN TEAM OF ANY DISCREPANCIES FOUND IN THE DRAWINGS, DOCUMENTS, AND ACTUAL SITE CONDITIONS.



TYPE	OFFICE CHAIR
DIMENSIONS	(±) 20" (W) X 21 ¹⁵ / ₁₆ " (D) X 32 ¹ / ₂ " (H"), HEIGHT STYLE: STANDARD
DESCRIPTION	COLOR : BLACK FRAME : STEEL SEAT MATERIAL : PLASTIC STACKABLE : YES
SETS	10 SETS (2 SETS PER TABLE)
REFERENCE	LIFETIME



TYPE	MOVABLE WHITE BOARD
DIMENSIONS	1.50M (L) X 0.90M (W) X ± 0.80M (H) OR 1.70M (TOTAL H)
DESCRIPTION	COLOR OF FRAME : BLACK OR WHITE FRAME : PRE- ALUMINUM FRAME ROTATABLE : OPTIONAL MAGNETIC : OPTIONAL
SETS	2 SETS
REFERENCE	GENERIC



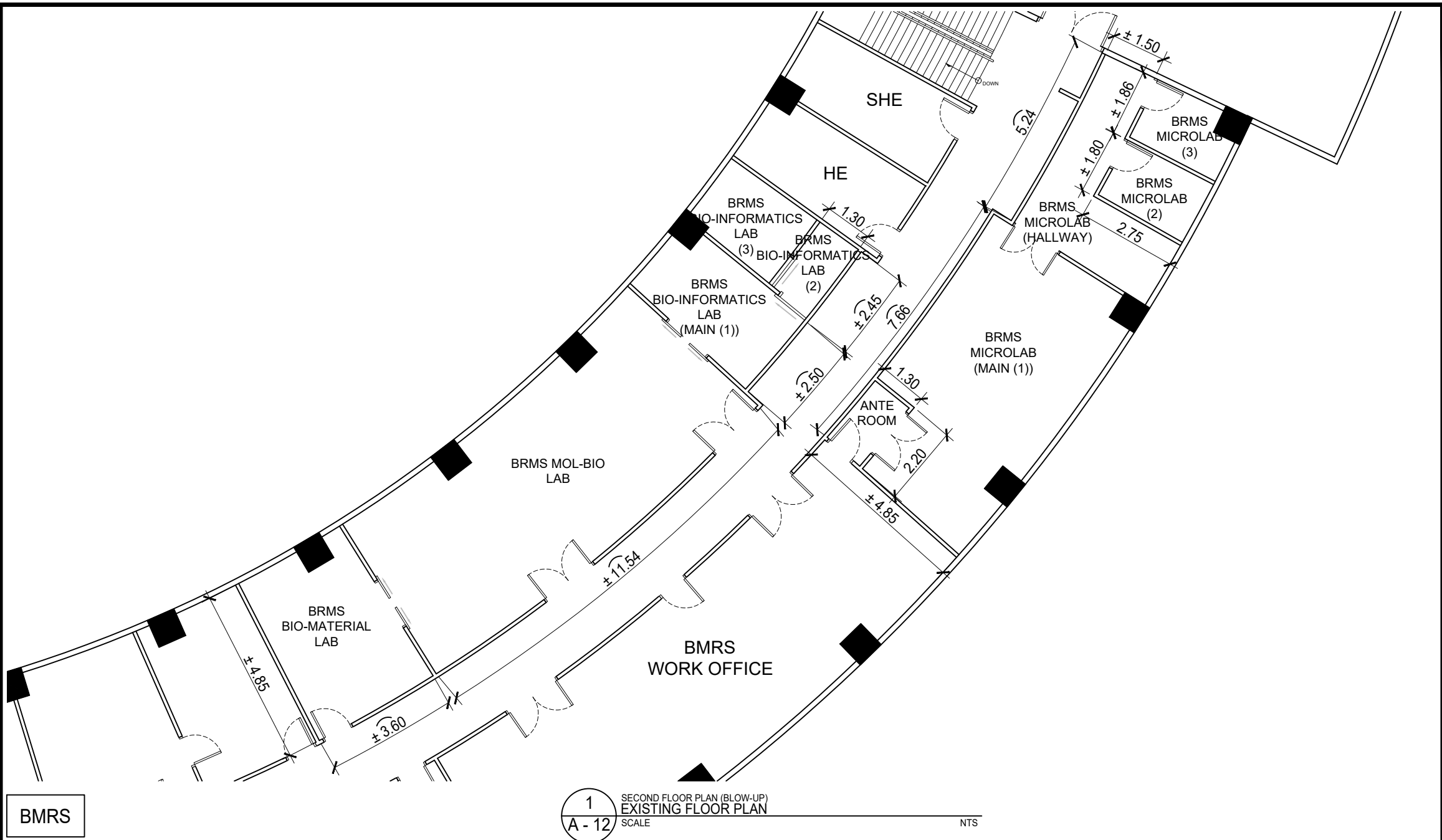
TYPE	OFFICE TABLE
DIMENSIONS	1.50M (L) X 0.60M (W) X 0.74M (H), HEIGHT STYLE : STANDARD
DESCRIPTION	DESK TYPE : MDF BOARD WITH HPL DESK COLOR : BLACK DESK THICKNESS : ± 0.16M LAYER : SINGLE FRAME : STEEL FRAME DIMENSION : 0.50M (L) X 0.50M (W)
SETS	5 SETS
REFERENCE	GENERIC

NROS

1 NROS CLASSROOM
SCHEDULE OF WHITE BOARD, TABLES, AND CHAIRS
 SCALE NTS


Republic of the Philippines DEPARTMENT OF SCIENCE AND TECHNOLOGY PHILIPPINE NUCLEAR RESEARCH INSTITUTE COMMONWEALTH AVENUE, DILIMAN, QUEZON CITY	PROJECT TITLE:	SHEET CONTENT/S:	PREPARED BY:	RECOMMENDING APPROVALS:	APPROVED BY:	DRAWN BY:	SHEET NO.
	UPGRADING OF ARC BUILDING (C.Y. 2025)	NROS CLASSROOM - SCHEDULE OF WHITE BOARD, TABLES, AND CHAIRS	<u>ENGR. ANDREW C. BARRIDA</u> <small>SSRS, ESS</small> <u>ENGR. ROSALINO B. REJAS</u> <small>SSRS, ESS</small>	<u>ENGR. ARTURO F. SALIH</u> <small>ESS, HEAD</small> <u>ENGR. HAYDEE M. SOLOMON</u> <small>OIC-CHIEF, NSD</small>	<u>CHITHO P. FELICIANO, Ph.D.</u> <small>END-USER, HEAD, HPRS</small> <u>NEIL RAYMUND D. GUILLERMO, M. Sc</u> <small>CHIEF, ARD</small> <u>VALLERIE ANN I. SAMSON, Ph. D.</u> <small>DEPUTY DIRECTOR</small>	<u>CARLO A. ARCILLA, Ph. D.</u> <small>DIRECTOR</small>	ENGR. C. PELMONTE
						CHECKED BY:	PAGE NO. OF TOTAL NO. OF PAGES
						DATE:	11 of 84

GENERAL NOTE: DRAWINGS MAY NOT BE IN SCALE. USE MARKED DIMENSIONS. VERIFY ACTUAL MEASUREMENTS. INFORM THE DESIGN TEAM OF ANY DISCREPANCIES FOUND IN THE DRAWINGS, DOCUMENTS, AND ACTUAL SITE CONDITIONS.



BMRS

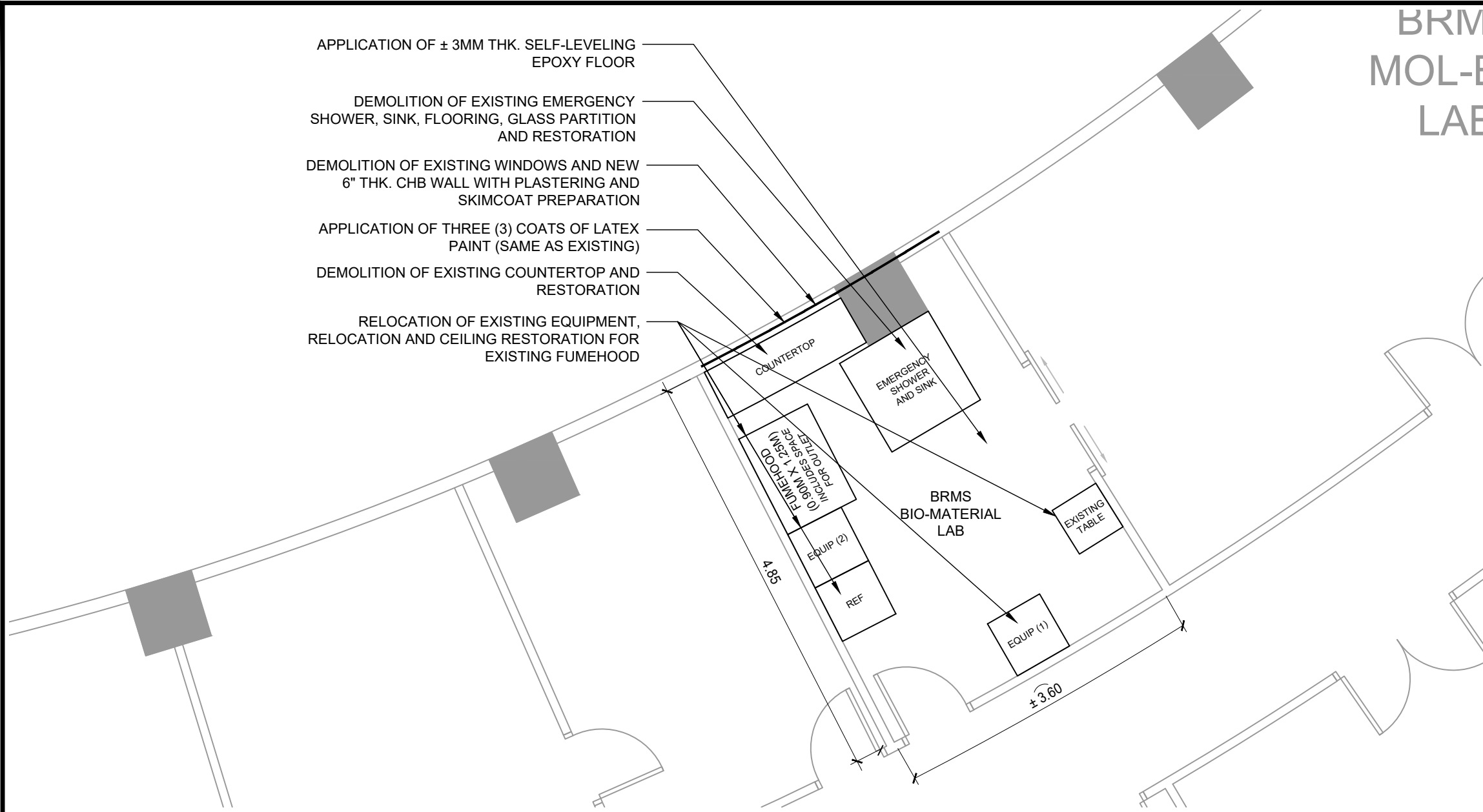
1
A - 12
SECOND FLOOR PLAN (BLOW-UP)
EXISTING FLOOR PLAN
SCALE NTS

 <p>Republic of the Philippines DEPARTMENT OF SCIENCE AND TECHNOLOGY PHILIPPINE NUCLEAR RESEARCH INSTITUTE COMMONWEALTH AVENUE, DILIMAN, QUEZON CITY</p>	PROJECT TITLE:	SHEET CONTENT/S:	PREPARED BY:	RECOMMENDING APPROVALS:	APPROVED BY:	DRAWN BY:	SHEET NO.	
	UPGRADING OF ARC BUILDING (C.Y. 2025)	SECOND FLOOR PLAN (BLOW-UP) - EXISTING FLOOR PLAN	<u>ENGR. ANDREW C. BARRIDA</u> SSRS, ESS <u>ENGR. ROSALINO B. REJAS</u> SSRS, ESS	<u>ENGR. ARTURO F. SALIH</u> ESS, HEAD <u>NEIL RAYMUND D. GUILLERMO, M. Sc</u> CHIEF, ARD <u>ENGR. HAYDEE M. SOLOMON</u> OIC-CHIEF, NSD <u>CHITHO P. FELICIANO, Ph.D.</u> END-USER, HEAD, HPRS <u>VALLERIE ANN I. SAMSON, Ph. D.</u> DEPUTY DIRECTOR	<u>CARLO A. ARCILLA, Ph. D.</u> DIRECTOR	<u>ENGR. C. PELMONTE</u> CHECKED BY: DATE:	A - 12 PAGE NO. OF TOTAL NO. OF PAGES 12 of 84	

GENERAL NOTE: DRAWINGS MAY NOT BE IN SCALE. USE MARKED DIMENSIONS. VERIFY ACTUAL MEASUREMENTS. INFORM THE DESIGN TEAM OF ANY DISCREPANCIES FOUND IN THE DRAWINGS, DOCUMENTS, AND ACTUAL SITE CONDITIONS.


BRM MOL-E LAB

- APPLICATION OF ± 3MM THK. SELF-LEVELING EPOXY FLOOR
- DEMOLITION OF EXISTING EMERGENCY SHOWER, SINK, FLOORING, GLASS PARTITION AND RESTORATION
- DEMOLITION OF EXISTING WINDOWS AND NEW 6" THK. CHB WALL WITH PLASTERING AND SKIMCOAT PREPARATION
- APPLICATION OF THREE (3) COATS OF LATEX PAINT (SAME AS EXISTING)
- DEMOLITION OF EXISTING COUNTERTOP AND RESTORATION
- RELOCATION OF EXISTING EQUIPMENT, RELOCATION AND CEILING RESTORATION FOR EXISTING FUMEHOOD

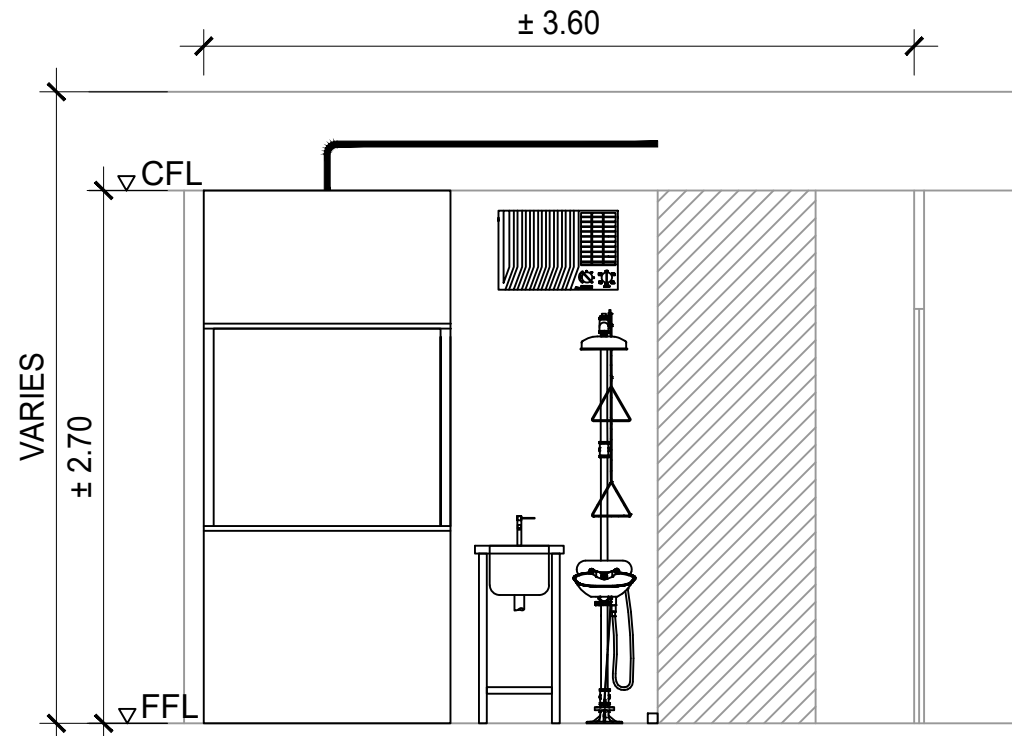
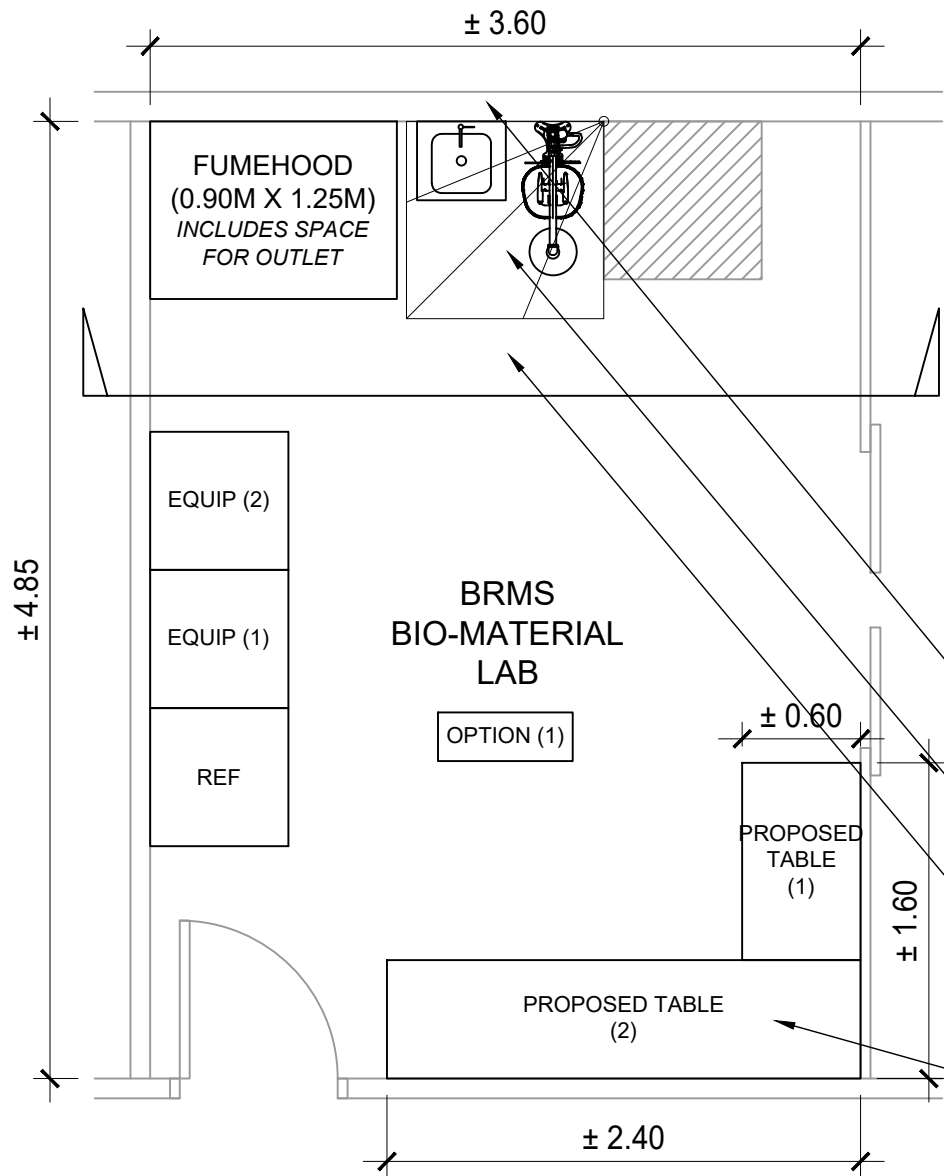


1
A - 13
SECOND FLOOR PLAN (BLOW-UP)
EXISTING FLOOR PLAN (BIO-MATERIAL LAB)
SCALE NTS

BMRS

 <p>Republic of the Philippines DEPARTMENT OF SCIENCE AND TECHNOLOGY PHILIPPINE NUCLEAR RESEARCH INSTITUTE COMMONWEALTH AVENUE, DILIMAN, QUEZON CITY</p>	PROJECT TITLE:	SHEET CONTENT/S:	PREPARED BY:	RECOMMENDING APPROVALS:	APPROVED BY:	DRAWN BY:	SHEET NO.	
	UPGRADING OF ARC BUILDING (C.Y. 2025)	SECOND FLOOR PLAN (BLOW-UP) - EXISTING FLOOR PLAN (BIO-MATERIAL LAB)	<u>ENGR. ANDREW C. BARRIDA</u> SSRS, ESS <u>ENGR. ROSALINO B. REJAS</u> SSRS, ESS	<u>ENGR. ARTURO F. SALIH</u> ESS, HEAD <u>NEIL RAYMUND D. GUILLERMO, M. Sc</u> CHIEF, ARD <u>ENGR. HAYDEE M. SOLOMON</u> OIC-CHIEF, NSD <u>CHITHO P. FELICIANO, Ph.D.</u> END-USER, HEAD, HPRS	<u>CARLO A. ARCILLA, Ph. D.</u> DIRECTOR	<u>ENGR. C. PELMONTE</u> CHECKED BY: DATE:	A - 13 PAGE NO. OF TOTAL NO. OF PAGES 13 of 84	

GENERAL NOTE: DRAWINGS MAY NOT BE IN SCALE. USE MARKED DIMENSIONS. VERIFY ACTUAL MEASUREMENTS. INFORM THE DESIGN TEAM OF ANY DISCREPANCIES FOUND IN THE DRAWINGS, DOCUMENTS, AND ACTUAL SITE CONDITIONS.



- NEW 6" THK. CHB WALL WITH APPLICATION OF PLASTERING, SKIMCOAT PREPARATION, AND 3 COATS OF LATEX PAINT
- SUPPLY AND INSTALLATION OF (± 4LM X ± 15MM THK.) WATER SILICON DAM GUARD (SEE SAMPLE IMAGE)
- APPLICATION OF NEW SELF-LEVELING EPOXY FLOORING
- NEW 2 MODULAR TABLE SAME AS EXISTING WITH 3 CONVENIENCE OUTLET AT BASEBOARD




BIO-MATERIAL LAB
SAMPLE IMAGE OF
WATER SILICON
DAM GUARD
SCALE NTS

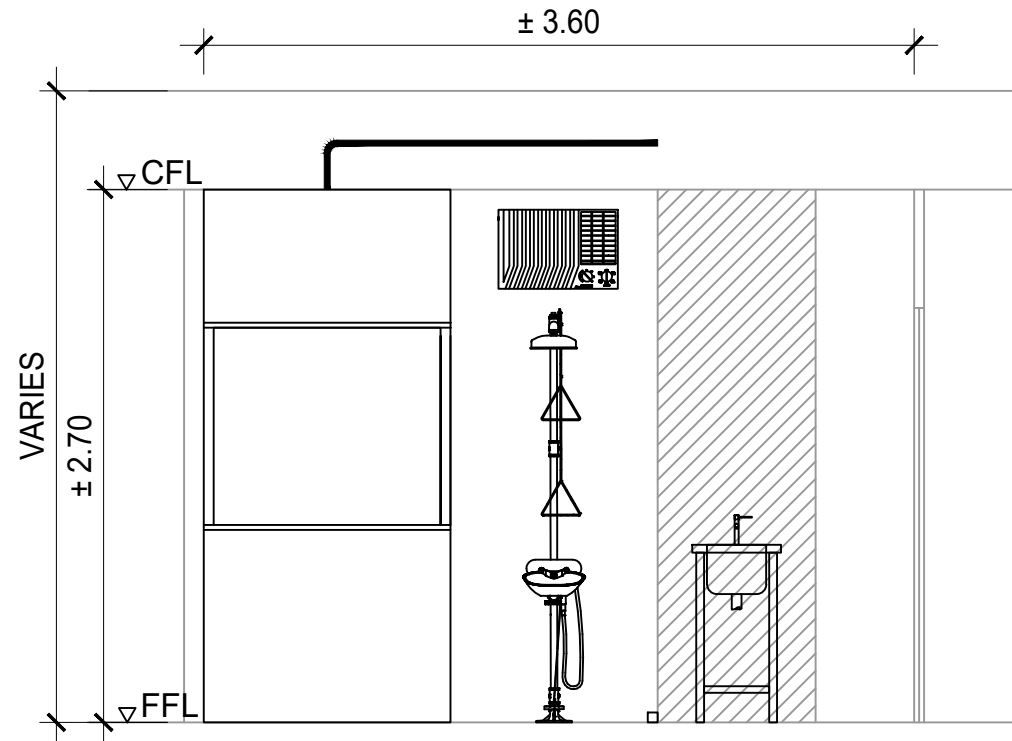
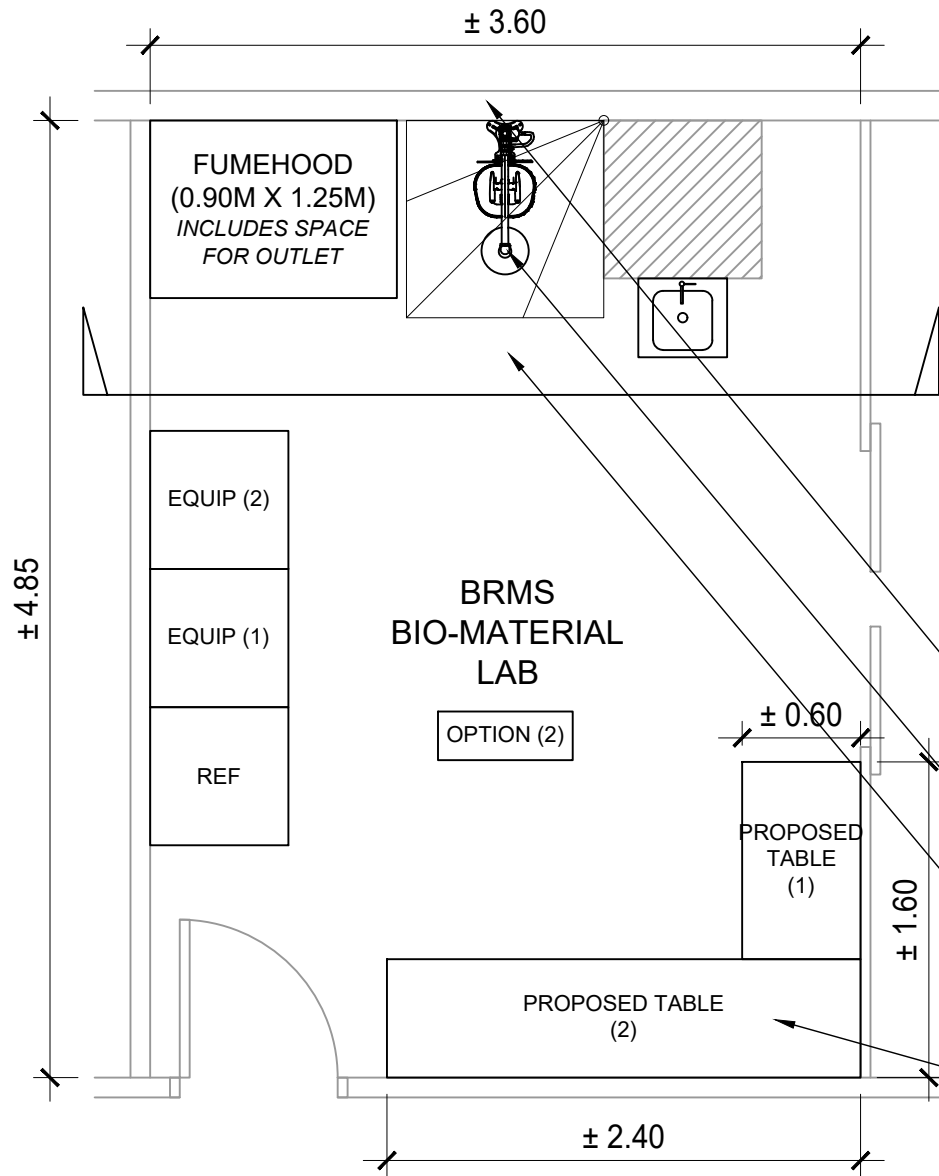
2
A - 14

BMRS

1
A - 14
SECOND FLOOR PLAN (BLOW-UP)
PROPOSED FLOOR PLAN (BIO-MATERIAL LAB) (OPTION 1)
SCALE NTS

 <p>Republic of the Philippines DEPARTMENT OF SCIENCE AND TECHNOLOGY PHILIPPINE NUCLEAR RESEARCH INSTITUTE COMMONWEALTH AVENUE, DILIMAN, QUEZON CITY</p>	PROJECT TITLE:	SHEET CONTENT/S:	PREPARED BY:	RECOMMENDING APPROVALS:	APPROVED BY:	DRAWN BY:	SHEET NO.	
	UPGRADING OF ARC BUILDING (C.Y. 2025)	SECOND FLOOR PLAN (BLOW-UP) - PROPOSED FLOOR PLAN (BIO-MATERIAL LAB) (OPTION 1) BIO-MATERIAL LAB - SAMPLE IMAGE OF WATER SILICON DAM GUARD	ENGR. ANDREW C. BARRIDA <small>SSRS, ESS</small> ENGR. ROSALINO B. REJAS <small>SSRS, ESS</small>	ENGR. ARTURO F. SALIH <small>ESS, HEAD</small> NEIL RAYMUND D. GUILLERMO, M. Sc <small>CHIEF, ARD</small> ENGR. HAYDEE M. SOLOMON <small>OIC-CHIEF, NSD</small>	CHITHO P. FELICIANO, Ph.D. <small>END-USER, HEAD, HPRS</small> VALLERIE ANN I. SAMSON, Ph. D. <small>DEPUTY DIRECTOR</small>	CARLO A. ARCILLA, Ph. D. <small>DIRECTOR</small>	ENGR. C. PELMONTE	A - 14
							CHECKED BY:	PAGE NO. OF TOTAL NO. OF PAGES
							DATE:	14 of 84

GENERAL NOTE: DRAWINGS MAY NOT BE IN SCALE. USE MARKED DIMENSIONS. VERIFY ACTUAL MEASUREMENTS. INFORM THE DESIGN TEAM OF ANY DISCREPANCIES FOUND IN THE DRAWINGS, DOCUMENTS, AND ACTUAL SITE CONDITIONS.



- NEW 6" THK. CHB WALL WITH APPLICATION OF PLASTERING, SKIMCOAT PREPARATION, AND 3 COATS OF LATEX PAINT
- SUPPLY AND INSTALLATION OF (± 4LM X ± 15MM THK.) WATER SILICON DAM GUARD (SEE SAMPLE IMAGE)
- APPLICATION OF NEW SELF-LEVELING EPOXY FLOORING
- NEW 2 MODULAR TABLE SAME AS EXISTING WITH 3 CONVENIENCE OUTLET AT BASEBOARD



BIO-MATERIAL LAB
SAMPLE IMAGE OF
WATER SILICON
DAM GUARD
SCALE NTS

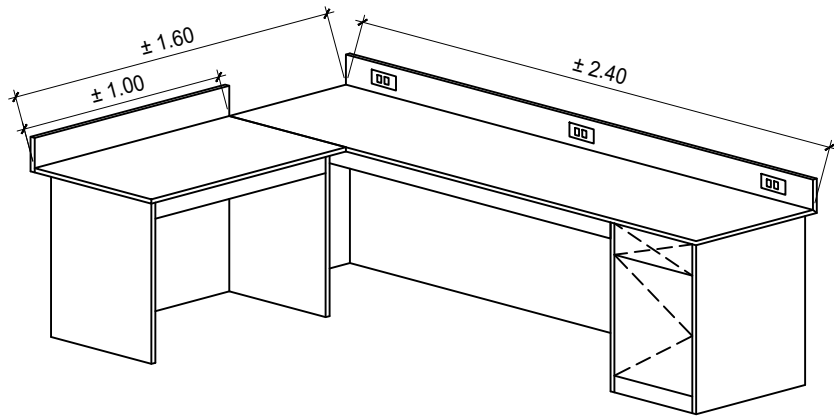
1 SECOND FLOOR PLAN (BLOW-UP)
PROPOSED FLOOR PLAN (BIO-MATERIAL LAB) (OPTION 2)
SCALE NTS

2
A - 15 SCALE NTS

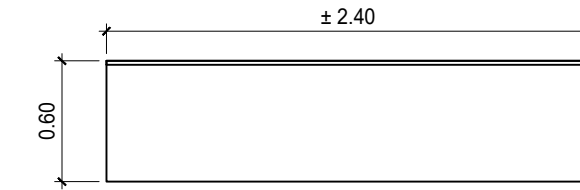
BMRS

	PROJECT TITLE:	SHEET CONTENT/S:	PREPARED BY:	RECOMMENDING APPROVALS:	APPROVED BY:	DRAWN BY:	SHEET NO.	
	UPGRADING OF ARC BUILDING (C.Y. 2025)	SECOND FLOOR PLAN (BLOW-UP) - PROPOSED FLOOR PLAN (OPTION 2) BIO-MATERIAL LAB - SAMPLE IMAGE OF WATER SILICON DAM GUARD	ENGR. ANDREW C. BARRIDA <small>SSRS, ESS</small> ENGR. ROSALINO B. REJAS <small>SSRS, ESS</small>	ENGR. ARTURO F. SALIH <small>ESS, HEAD</small> NEIL RAYMUND D. GUILLERMO, M. Sc <small>CHIEF, ARD</small> ENGR. HAYDEE M. SOLOMON <small>OIC-CHIEF, NSD</small>	CHITHO P. FELICIANO, Ph.D. <small>END-USER, HEAD, HPRS</small> VALLERIE ANN I. SAMSON, Ph. D. <small>DEPUTY DIRECTOR</small>	ENGR. C. PELMONTE CARLO A. ARCILLA, Ph. D. <small>DIRECTOR</small>	ENGR. C. PELMONTE <small>CHECKED BY:</small> DATE:	A - 15 <small>PAGE NO. OF TOTAL NO. OF PAGES</small> 15 of 84

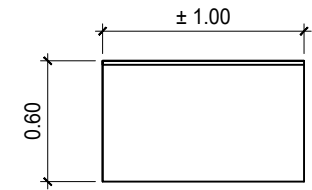
GENERAL NOTE: DRAWINGS MAY NOT BE IN SCALE. USE MARKED DIMENSIONS. VERIFY ACTUAL MEASUREMENTS. INFORM THE DESIGN TEAM OF ANY DISCREPANCIES FOUND IN THE DRAWINGS, DOCUMENTS, AND ACTUAL SITE CONDITIONS.



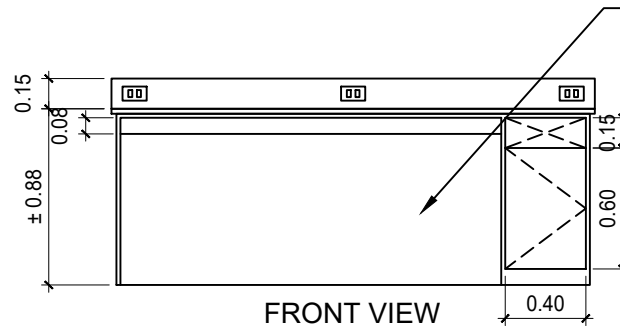
PERSPECTIVE
(COMBINED TABLES)



TOP VIEW

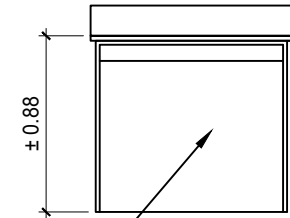


TOP VIEW



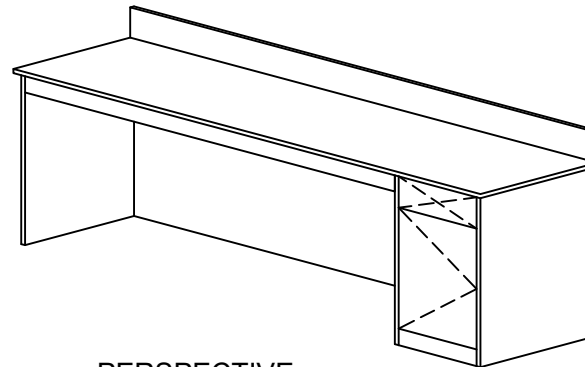
FRONT VIEW

NEW ($\pm\frac{3}{4}$ " OR 19MM) WOODEN MODULAR TABLE (SAME MATERIALS AND COLOR AS EXISTING) WITH 3 CONVENIENCE OUTLET AT BASEBOARD AND 3 COATS OF QDE

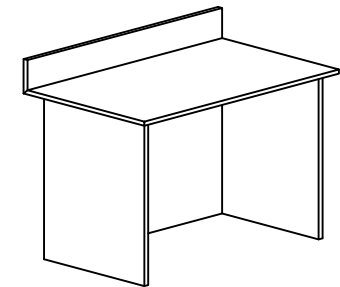


FRONT VIEW

NEW ($\pm\frac{3}{4}$ " OR 19MM) WOODEN MODULAR TABLE (SAME MATERIALS AND COLOR AS EXISTING) AND 3 COATS OF QDE



PERSPECTIVE

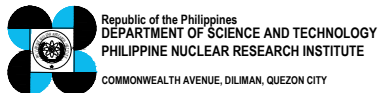


PERSPECTIVE

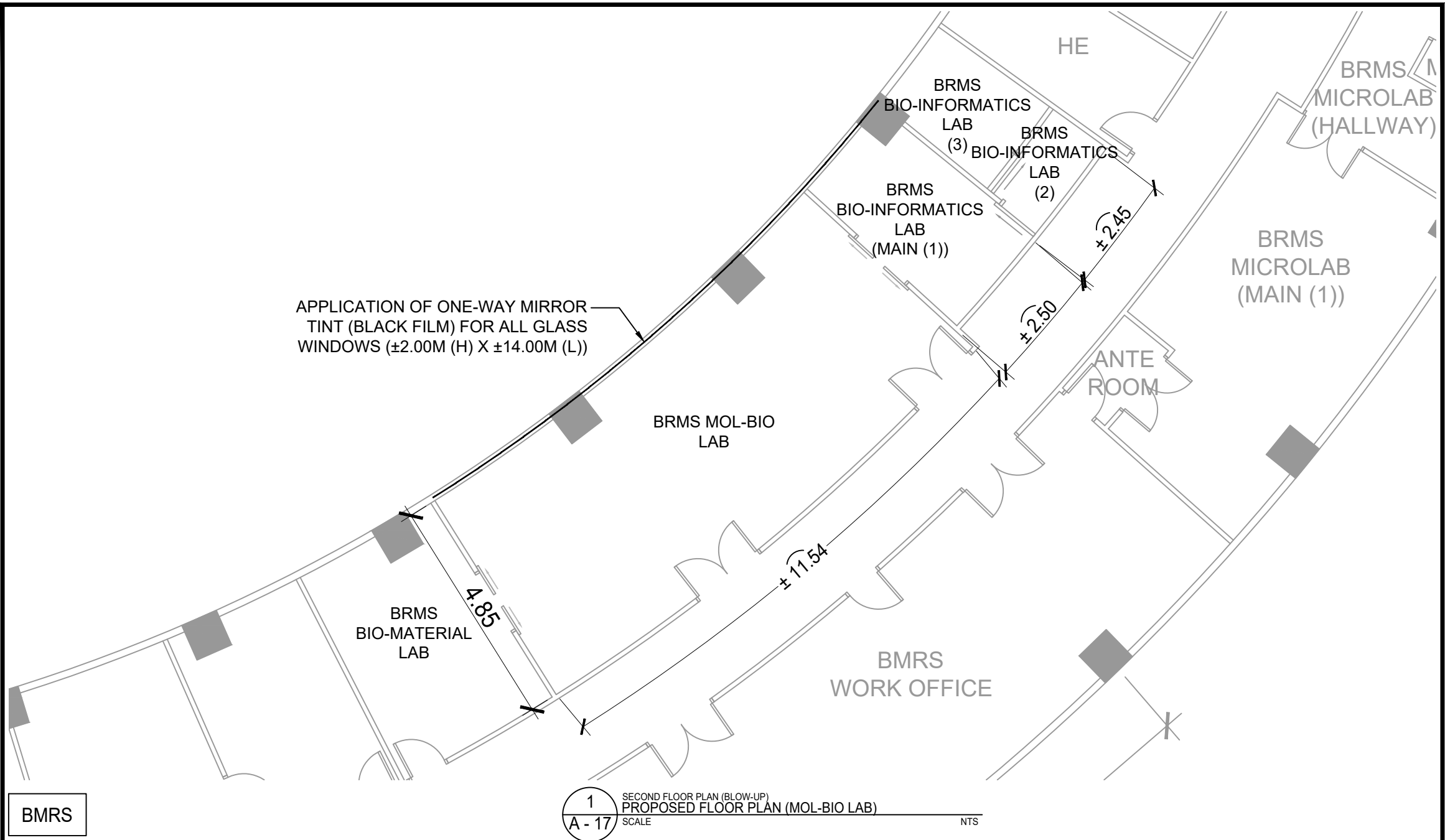
BMRS

1
A - 16
BIO-MATERIAL LAB
PROPOSED TABLE - 1 (1 SET)
SCALE NTS

2
A - 16
BIO-MATERIAL LAB
PROPOSED TABLE - 2 (1 SET)
SCALE NTS




PROJECT TITLE:	SHEET CONTENT/S:	PREPARED BY:	RECOMMENDING APPROVALS:	APPROVED BY:	DRAWN BY:	SHEET NO.
UPGRADING OF ARC BUILDING (C.Y. 2025)	BIO-MATERIAL LAB - PROPOSED TABLE - 1 (1 SET) - PROPOSED TABLE - 2 (1 SET)	ENGR. ANDREW C. BARRIDA SSRS, ESS ENGR. ROSALINO B. REJAS SSRS, ESS	ENGR. ARTURO F. SALIH ESS, HEAD NEIL RAYMUND D. GUILLERMO, M. Sc CHIEF, ARD ENGR. HAYDEE M. SOLOMON OIC-CHIEF, NSD CHITHO P. FELICIANO, Ph.D. END-USER, HEAD, HPRS VALLERIE ANN I. SAMSON, Ph. D. DEPUTY DIRECTOR	CARLO A. ARCILLA, Ph. D. DIRECTOR	ENGR. C. PELMONTE CHECKED BY: DATE:	A - 16 PAGE NO. OF TOTAL NO. OF PAGES 16 of 84

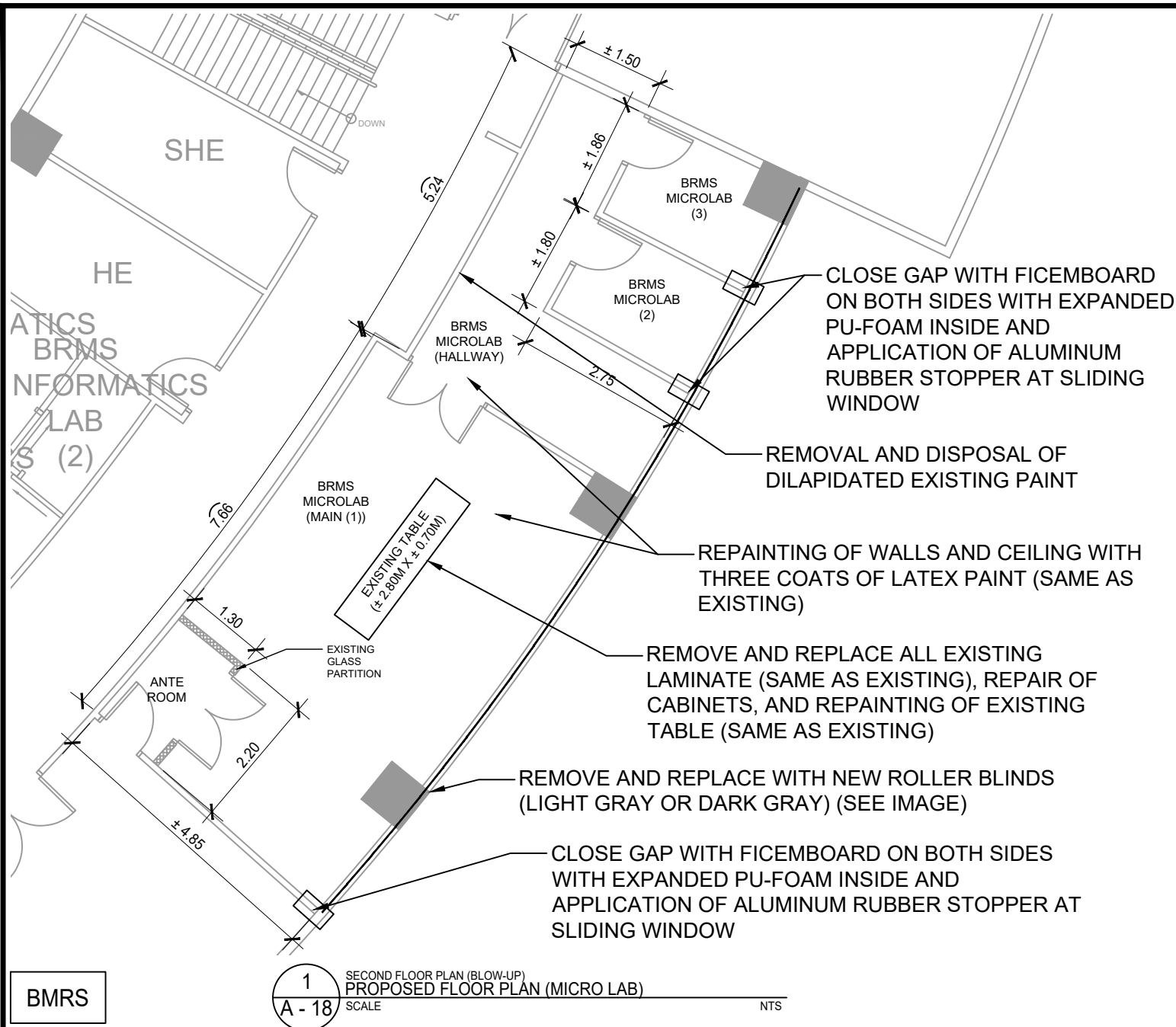


BMRS

1
A - 17
SECOND FLOOR PLAN (BLOW-UP)
PROPOSED FLOOR PLAN (MOL-BIO LAB)
SCALE NTS

 <p>Republic of the Philippines DEPARTMENT OF SCIENCE AND TECHNOLOGY PHILIPPINE NUCLEAR RESEARCH INSTITUTE COMMONWEALTH AVENUE, DILIMAN, QUEZON CITY</p>	PROJECT TITLE:	SHEET CONTENT/S:	PREPARED BY:	RECOMMENDING APPROVALS:	APPROVED BY:	DRAWN BY:	SHEET NO.
	UPGRADING OF ARC BUILDING (C.Y. 2025)	SECOND FLOOR PLAN (BLOW-UP) - PROPOSED FLOOR PLAN (MOL-BIO LAB)	ENGR. ANDREW C. BARRIDA SSRS, ESS	ENGR. ARTURO F. SALIH ESS, HEAD CHITHO P. FELICIANO, Ph.D. END-USER, HEAD, HPRS	ENGR. C. PELMONTE	A - 17	
			ENGR. ROSALINO B. REJAS SSRS, ESS	NEIL RAYMUND D. GUILLERMO, M. Sc CHIEF, ARD	CHECKED BY:	PAGE NO. OF TOTAL NO. OF PAGES	
			ENGR. HAYDEE M. SOLOMON OTC-CHIEF, NSO	VALLERIE ANN I. SAMSON, Ph. D. DEPUTY DIRECTOR	DATE:	17 of 84	

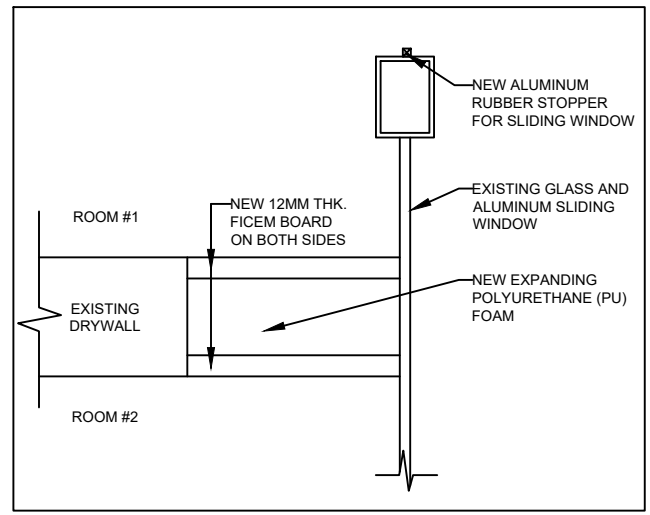
GENERAL NOTE: DRAWINGS MAY NOT BE IN SCALE. USE MARKED DIMENSIONS. VERIFY ACTUAL MEASUREMENTS. INFORM THE DESIGN TEAM OF ANY DISCREPANCIES FOUND IN THE DRAWINGS, DOCUMENTS, AND ACTUAL SITE CONDITIONS.



1 SECOND FLOOR PLAN (BLOW-UP)
A - 18 PROPOSED FLOOR PLAN (MICRO LAB)
 SCALE NTS

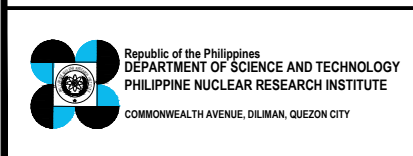


2 MICRO LAB
A - 18 SAMPLE IMAGE FOR ROLLER BLINDS
 SCALE NTS



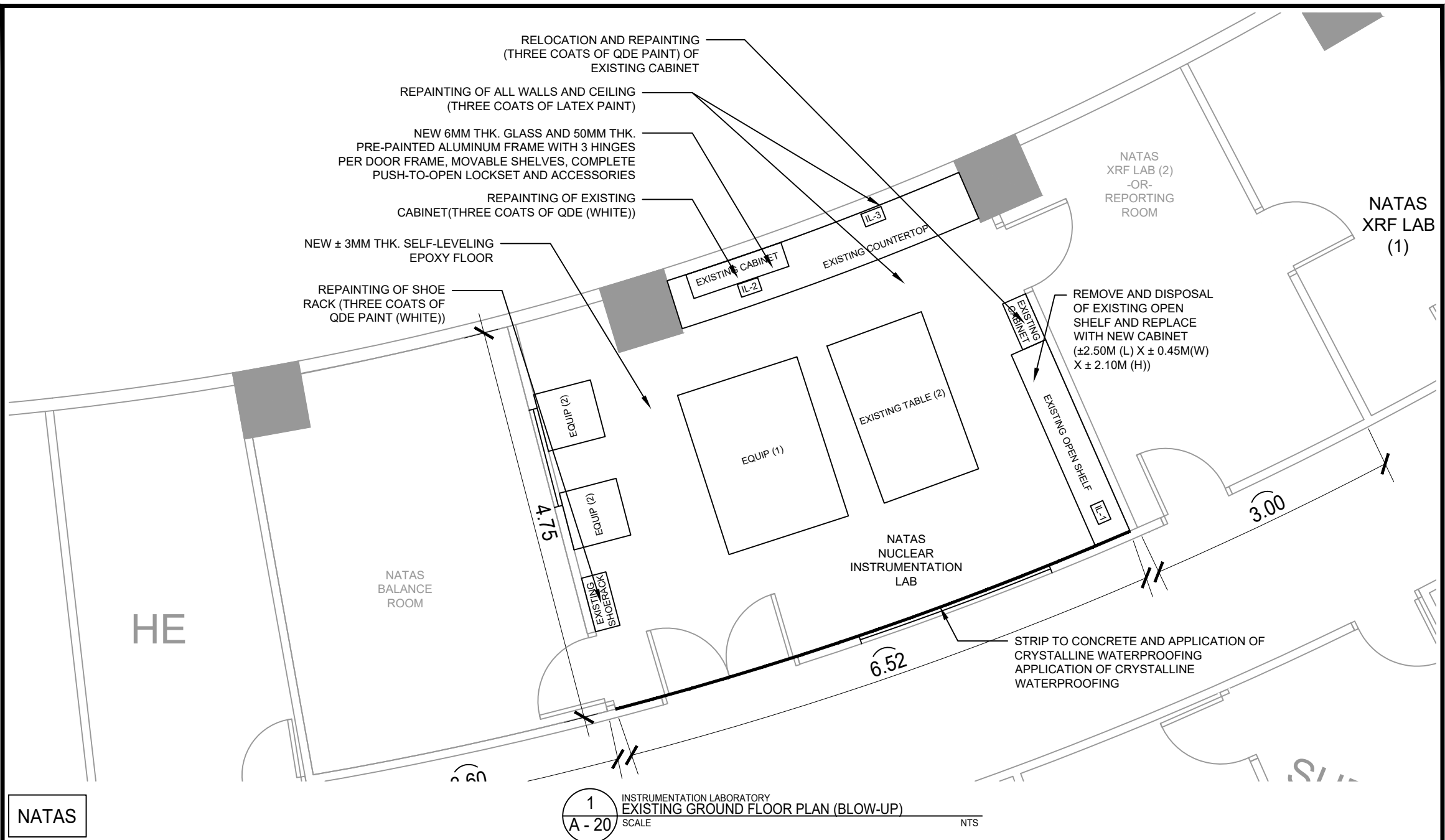
3 MICROLAB
A - 18 DETAIL FOR AIRTIGHT DRYWALL
 SCALE NTS

BMRS




PROJECT TITLE:	SHEET CONTENT/S:	PREPARED BY:	RECOMMENDING APPROVALS:	APPROVED BY:	DRAWN BY:	SHEET NO.
UPGRADING OF ARC BUILDING (C.Y. 2025)	SECOND FLOOR PLAN (BLOW-UP) - PROPOSED FLOOR PLAN (OPTION 2) MICRO LAB - SAMPLE IMAGE FOR ROLLER BLINDS - DETAIL FOR AIRTIGHT DRYWALL	ENGR. ANDREW C. BARRIDA SSRS, ESS ENGR. ROSALINO B. REJAS SSRS, ESS	ENGR. ARTURO F. SALIH ESS, HEAD NEIL RAYMUND D. GUILLERMO, M. Sc CHIEF, ARD ENGR. HAYDEE M. SOLOMON OIC-CHIEF, NSD CHITHO P. FELICIANO, Ph.D. END-USER, HEAD, HPRS VALLERIE ANN I. SAMSON, Ph. D. DEPUTY DIRECTOR	CARLO A. ARCILLA, Ph. D. DIRECTOR	ENGR. C. PELMONTE CHECKED BY: DATE:	A - 18 PAGE NO. OF TOTAL NO. OF PAGES 18 of 84

GENERAL NOTE: DRAWINGS MAY NOT BE IN SCALE. USE MARKED DIMENSIONS. VERIFY ACTUAL MEASUREMENTS. INFORM THE DESIGN TEAM OF ANY DISCREPANCIES FOUND IN THE DRAWINGS, DOCUMENTS, AND ACTUAL SITE CONDITIONS.

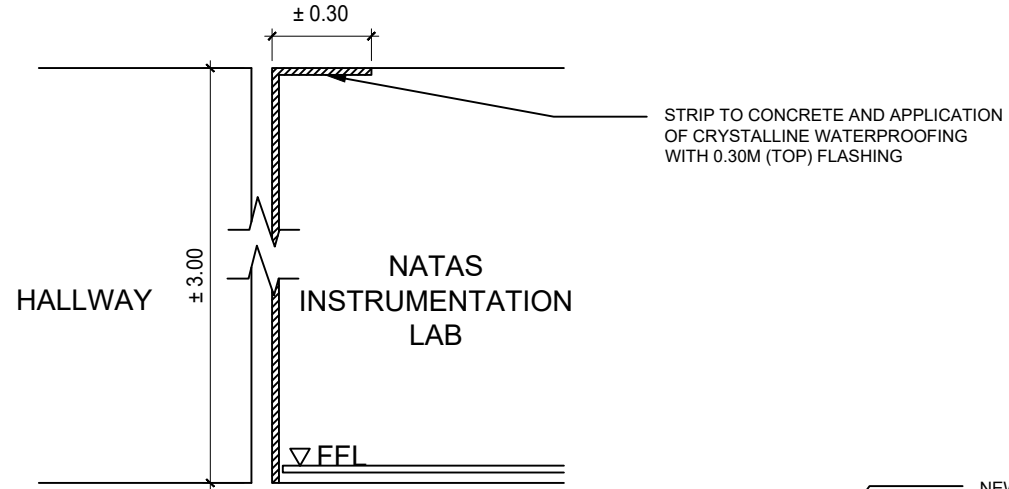


NATAS

1 INSTRUMENTATION LABORATORY
EXISTING GROUND FLOOR PLAN (BLOW-UP)
SCALE A - 20 NTS

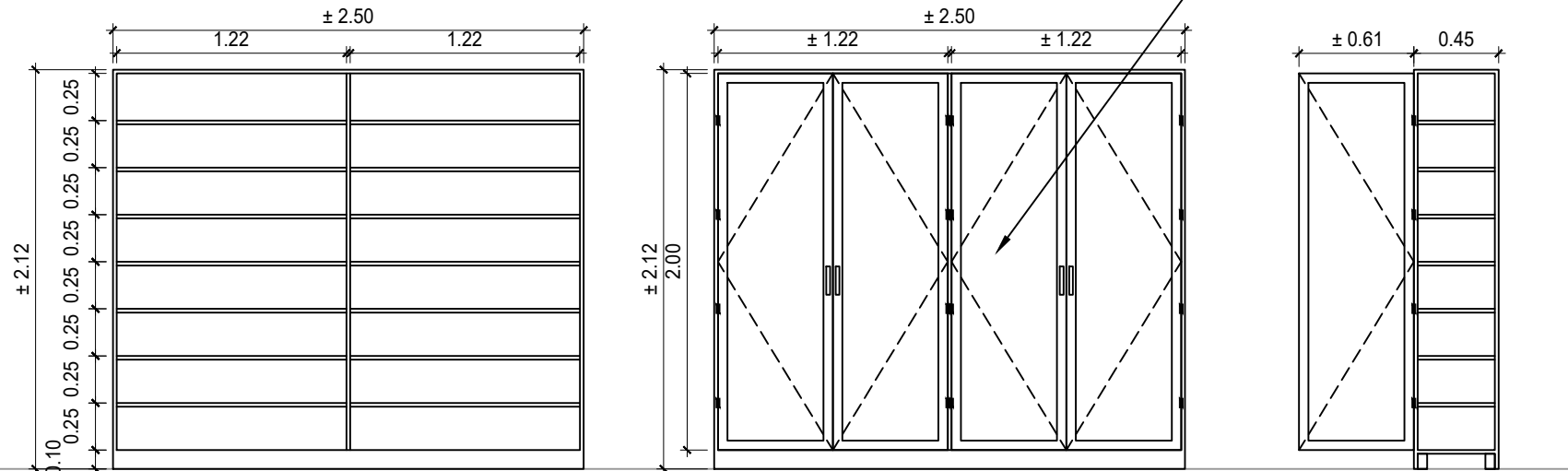
 <p>Republic of the Philippines DEPARTMENT OF SCIENCE AND TECHNOLOGY PHILIPPINE NUCLEAR RESEARCH INSTITUTE COMMONWEALTH AVENUE, DILIMAN, QUEZON CITY</p>	PROJECT TITLE:	SHEET CONTENT/S:	PREPARED BY:	RECOMMENDING APPROVALS:	APPROVED BY:	DRAWN BY:	SHEET NO.	
	UPGRADING OF ARC BUILDING (C.Y. 2025)	INSTRUMENTATION LABORATORY - EXISTING GROUND FLOOR PLAN (BLOW-UP)	<u>ENGR. ANDREW C. BARRIDA</u> SSRS, ESS <u>ENGR. ROSALINO B. REJAS</u> SSRS, ESS	<u>ENGR. ARTURO F. SALIH</u> ESS, HEAD <u>NEIL RAYMUND D. GUILLERMO, M. Sc</u> CHIEF, ARD <u>ENGR. HAYDEE M. SOLOMON</u> OIC-CHIEF, NSD <u>CHITHO P. FELICIANO, Ph.D.</u> END-USER, HEAD, HPRS <u>VALLERIE ANN I. SAMSON, Ph. D.</u> DEPUTY DIRECTOR	<u>CARLO A. ARCILLA, Ph. D.</u> DIRECTOR	<u>ENGR. C. PELMONTE</u> CHECKED BY: DATE:	A - 20 PAGE NO. OF TOTAL NO. OF PAGES 20 of 84	

GENERAL NOTE: DRAWINGS MAY NOT BE IN SCALE. USE MARKED DIMENSIONS. VERIFY ACTUAL MEASUREMENTS. INFORM THE DESIGN TEAM OF ANY DISCREPANCIES FOUND IN THE DRAWINGS, DOCUMENTS, AND ACTUAL SITE CONDITIONS.



1 INSTRUMENTATION LAB
 A - 21 DETAILS OF WATERPROOFING WORKS
 SCALE NTS

NEW ¾" (±19MM) THK. KILN-DRIED S4S WOODEN CABINET WITH 6MM THK. GLASS AND 50MM THK. PRE-PAINTED ALUMINUM FRAME WITH 4 HINGES PER DOOR FRAME, MOVABLE SHELVES, COMPLETE LOCKSET AND ACCESSORIES. AND 3 COATS OF QDE (WHITE)



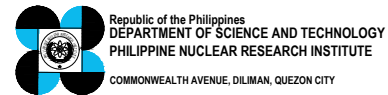
FRONT VIEW
 (WITHOUT CABINET DOORS)

FRONT VIEW
 (WITH CABINET DOORS)

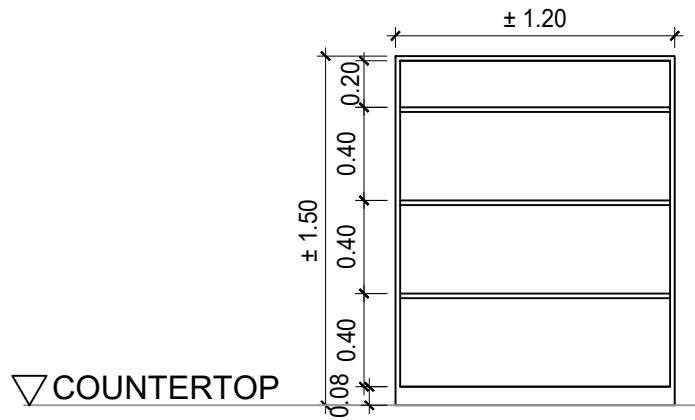
SIDE SECTION

2 INSTRUMENTATION LAB
 A - 21 DETAILS OF CABINET (IL-1) - 1 SET
 SCALE NTS

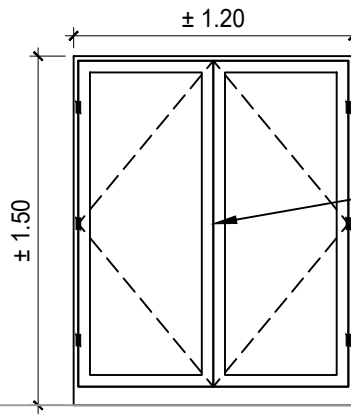
NATAS



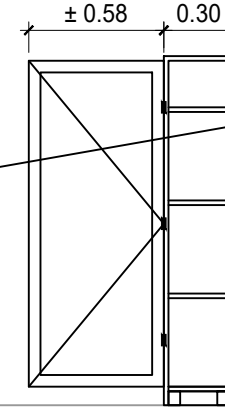
PROJECT TITLE:	SHEET CONTENT/S:	PREPARED BY:	RECOMMENDING APPROVALS:	APPROVED BY:	DRAWN BY:	SHEET NO.
UPGRADING OF ARC BUILDING (C.Y. 2025)	INSTRUMENTATION LAB - DETAILS FOR WATERPROOFING WORKS - DETAILS OF CABINET (1)	ENGR. ANDREW C. BARRIDA <small>SSRS, ESS</small> ENGR. ROSALINO B. REJAS <small>SSRS, ESS</small>	ENGR. ARTURO F. SALIH <small>ESS, HEAD</small> CHITHO P. FELICIANO, Ph.D. <small>END-USER, HEAD, HPRS</small> NEIL RAYMUND D. GUILLERMO, M. Sc <small>CHIEF, ARD</small> ENGR. HAYDEE M. SOLOMON <small>OIC-CHIEF, NSD</small> VALLERIE ANN I. SAMSON, Ph. D. <small>DEPUTY DIRECTOR</small>	CARLO A. ARCILLA, Ph. D. <small>DIRECTOR</small>	ENGR. C. PELMONTE <small>CHECKED BY:</small> <small>DATE:</small>	A - 21 <small>PAGE NO. OF TOTAL NO. OF PAGES</small> 21 of 84



FRONT VIEW
(WITHOUT CABINET DOORS)



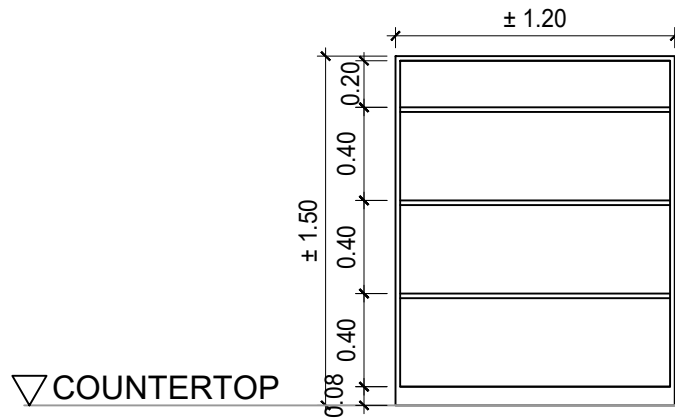
FRONT VIEW
(WITH CABINET DOORS)



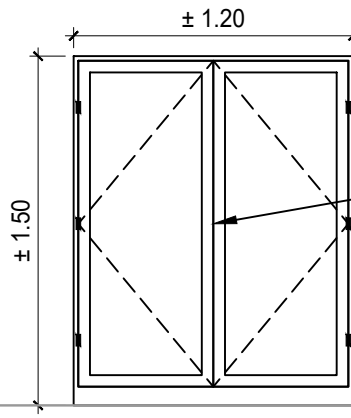
SIDE SECTION

NEW 6MM THK. GLASS AND 50MM THK. PRE-PAINTED ALUMINUM FRAME WITH 3 HINGES PER DOOR FRAME, MOVABLE SHELVES, COMPLETE PUSH-TO-OPEN LOCKSET AND ACCESSORIES. AND REPAINTING OF EXISTING COUNTERTOP CABINET (3 COATS OF QDE (WHITE))

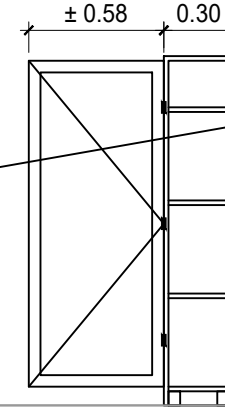
1 INSTRUMENTATION LAB
DETAILS OF CABINET (IL-2) - 1 SET
A - 22 SCALE NTS



FRONT VIEW
(WITHOUT CABINET DOORS)



FRONT VIEW
(WITH CABINET DOORS)




SIDE SECTION

NEW 3/4" (±19MM) THK. KILN-DRIED S4S WOODEN CABINET WITH 6MM THK. GLASS AND 50MM THK. PRE-PAINTED ALUMINUM FRAME WITH 3 HINGES PER DOOR FRAME, MOVABLE SHELVES, COMPLETE PUSH-TO-OPEN LOCKSET AND ACCESSORIES. AND 3 COATS OF QDE (WHITE) (DIMENSION SAME AS EXISTING)

2 INSTRUMENTATION LAB
DETAILS OF CABINET (IL-3) - 1 SET
A - 22 SCALE NTS

NATAS

 Republic of the Philippines DEPARTMENT OF SCIENCE AND TECHNOLOGY PHILIPPINE NUCLEAR RESEARCH INSTITUTE COMMONWEALTH AVENUE, DILIMAN, QUEZON CITY	PROJECT TITLE:	SHEET CONTENT/S:	PREPARED BY:	RECOMMENDING APPROVALS:	APPROVED BY:	DRAWN BY:	SHEET NO.
	UPGRADING OF ARC BUILDING (C.Y. 2025)	INSTRUMENTATION LAB - DETAILS OF CABINET (2) - 1 SET - DETAILS OF CABINET (3) - 1 SET	ENGR. ANDREW C. BARRIDA SSRS, ESS ENGR. ROSALINO B. REJAS SSRS, ESS	ENGR. ARTURO F. SALIH ESS, HEAD NEIL RAYMUND D. GUILLERMO, M. Sc CHIEF, ARD ENGR. HAYDEE M. SOLOMON OIC-CHIEF, NSD	CHITHO P. FELICIANO, Ph.D. END-USER, HEAD, HPRS VALLERIE ANN I. SAMSON, Ph. D. DEPUTY DIRECTOR	CARLO A. ARCILLA, Ph. D. DIRECTOR	ENGR. C. PELMONTE CHECKED BY: DATE: