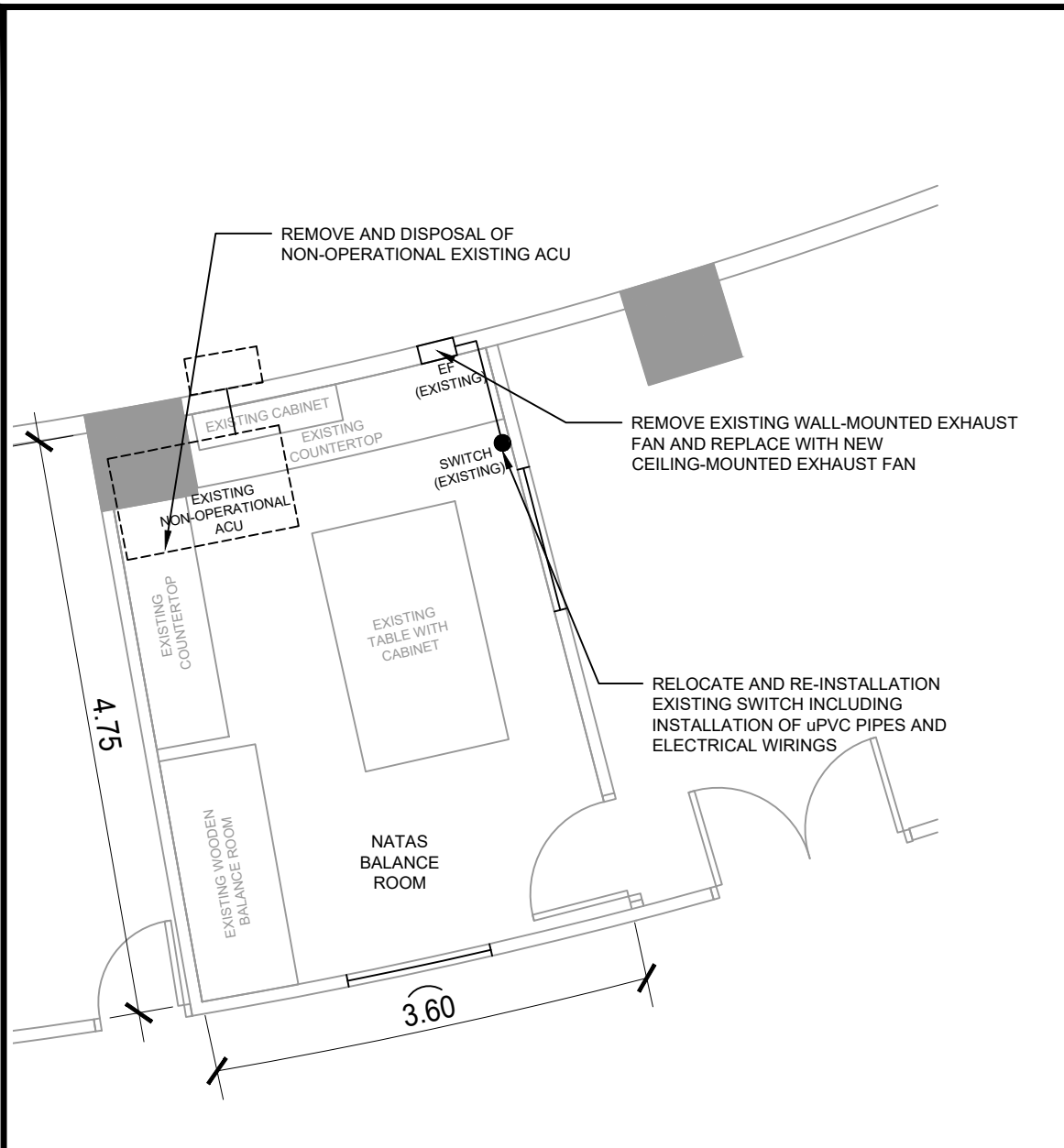


NATAS

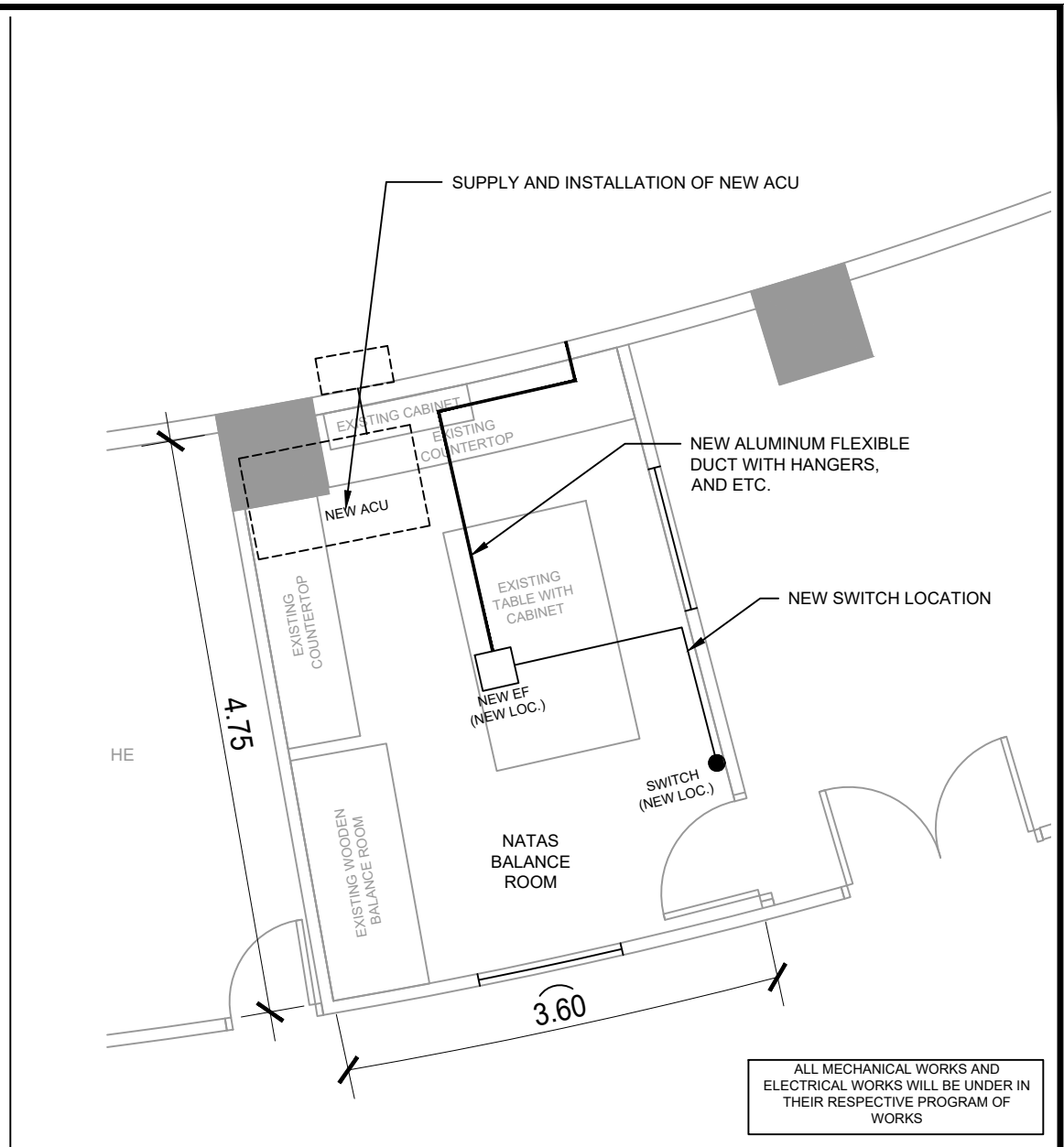
1 BALANCE ROOM EXISTING FLOOR PLAN (BLOW-UP)  
 A - 23 SCALE NTS

	<b>PROJECT TITLE:</b>	<b>SHEET CONTENT/S:</b>	<b>PREPARED BY:</b>	<b>RECOMMENDING APPROVALS:</b>	<b>APPROVED BY:</b>	<b>DRAWN BY:</b>	<b>SHEET NO.</b>	
	UPGRADING OF ARC BUILDING (C.Y. 2025)	BALANCE ROOM - EXISTING FLOOR PLAN (BLOW-UP)	<u>ENGR. ANDREW C. BARRIDA</u> SSRS, ESS  <u>ENGR. ROSALINO B. REJAS</u> SSRS, ESS	<u>ENGR. ARTURO F. SALIH</u> ESS, HEAD <u>CHITHO P. FELICIANO, Ph.D.</u> END-USER, HEAD, HPRS <u>NEIL RAYMUND D. GUILLERMO, M. Sc</u> CHIEF, ARD <u>ENGR. HAYDEE M. SOLOMON</u> OIC-CHIEF, NSD <u>VALLERIE ANN I. SAMSON, Ph. D.</u> DEPUTY DIRECTOR	<u>CARLO A. ARCILLA, Ph. D.</u> DIRECTOR	ENGR. C. PELMONTE	A - 23	
						CHECKED BY:		PAGE NO. OF TOTAL NO. OF PAGES 23 of 84
						DATE:		

GENERAL NOTE: DRAWINGS MAY NOT BE IN SCALE. USE MARKED DIMENSIONS. VERIFY ACTUAL MEASUREMENTS. INFORM THE DESIGN TEAM OF ANY DISCREPANCIES FOUND IN THE DRAWINGS, DOCUMENTS, AND ACTUAL SITE CONDITIONS.



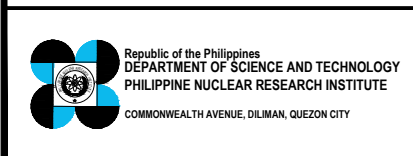
**1** BALANCE ROOM (ELECTRICAL + MECHANICAL WORKS)  
**A - 24** EXISTING FLOOR PLAN (BLOW-UP)  
 SCALE NTS



**2** BALANCE ROOM (ELECTRICAL + MECHANICAL WORKS)  
**A - 24** PROPOSED FLOOR PLAN (BLOW-UP)  
 SCALE NTS

ALL MECHANICAL WORKS AND ELECTRICAL WORKS WILL BE UNDER IN THEIR RESPECTIVE PROGRAM OF WORKS

NATAS



**PROJECT TITLE:**  
 UPGRADING OF ARC BUILDING (C.Y. 2025)

**SHEET CONTENT/S:**  
 BALANCE ROOM (ELECTRICAL + MECHANICAL WORKS)  
 - EXISTING FLOOR PLAN (BLOW-UP)  
 - PROPOSED FLOOR PLAN (BLOW-UP)

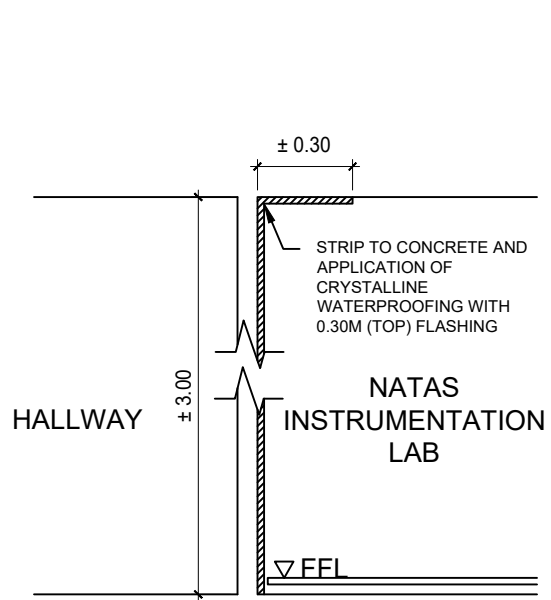
**PREPARED BY:**  
 ENGR. ANDREW C. BARRIDA  
 SSRS, ESS  
 ENGR. ROSALINO B. REJAS  
 SSRS, ESS

**RECOMMENDING APPROVALS:**  
 ENGR. ARTURO F. SALIH  
 ESS, HEAD  
 CHITHO P. FELICIANO, Ph.D.  
 END-USER, HEAD, HPRS  
 NEIL RAYMUND D. GUILLERMO, M. Sc  
 CHIEF, ARD  
 ENGR. HAYDEE M. SOLOMON  
 OIC-CHIEF, NSD  
 VALLERIE ANN I. SAMSON, Ph. D.  
 DEPUTY DIRECTOR

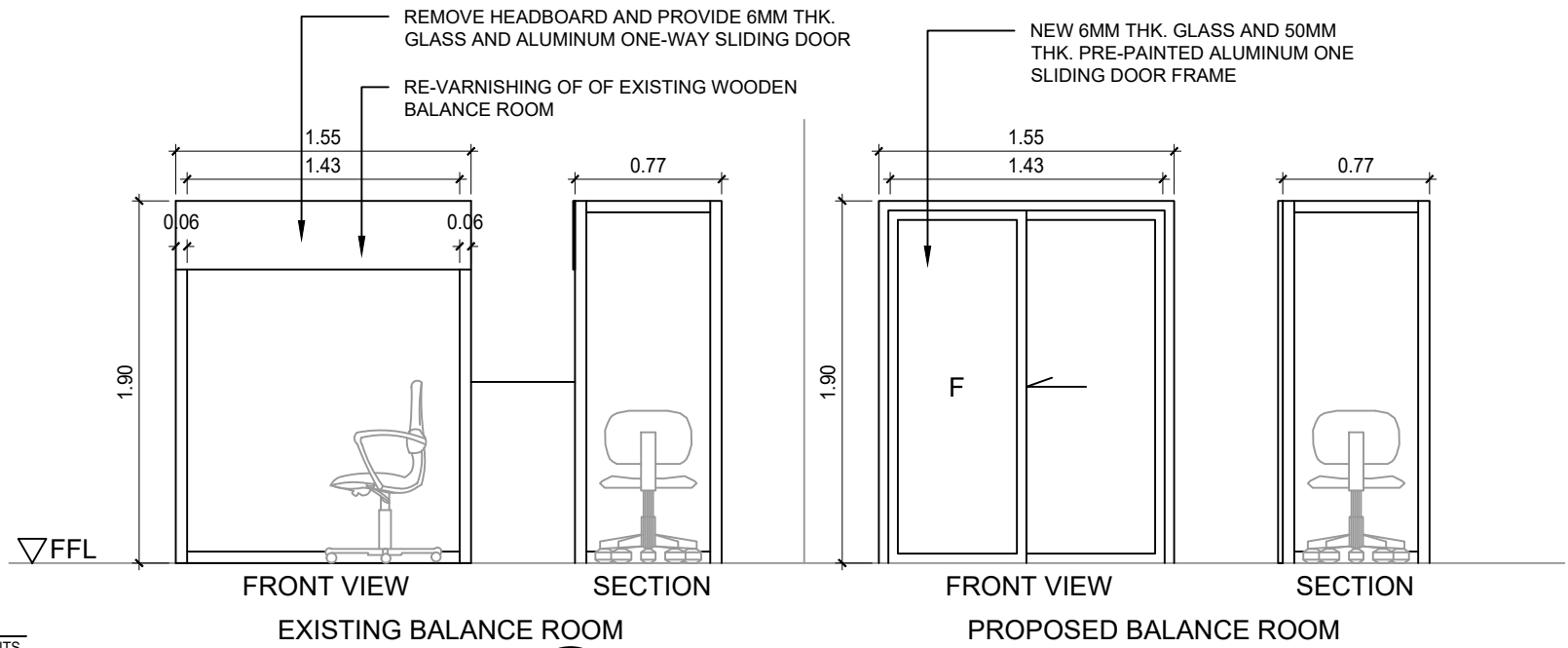
**APPROVED BY:**  
 CARLO A. ARCILLA, Ph. D.  
 DIRECTOR

**DRAWN BY:**  
 ENGR. C. PELMONTE  
**CHECKED BY:**  
 DATE:  
**SHEET NO.**  
 A - 24  
**PAGE NO. OF TOTAL NO. OF PAGES**  
 24 of 84

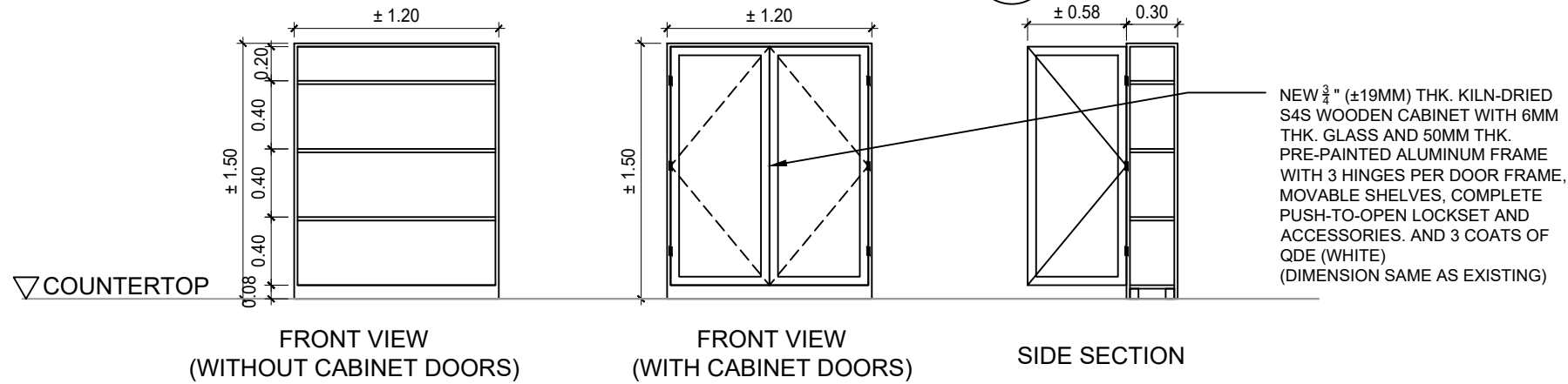
GENERAL NOTE: DRAWINGS MAY NOT BE IN SCALE. USE MARKED DIMENSIONS. VERIFY ACTUAL MEASUREMENTS. INFORM THE DESIGN TEAM OF ANY DISCREPANCIES FOUND IN THE DRAWINGS, DOCUMENTS, AND ACTUAL SITE CONDITIONS.



1 BALANCE ROOM DETAILS OF WATERPROOFING WORKS  
A - 25 SCALE NTS




2 BALANCE ROOM DETAILS OF EXISTING WOODEN BALANCE ROOM  
A - 25 SCALE NTS

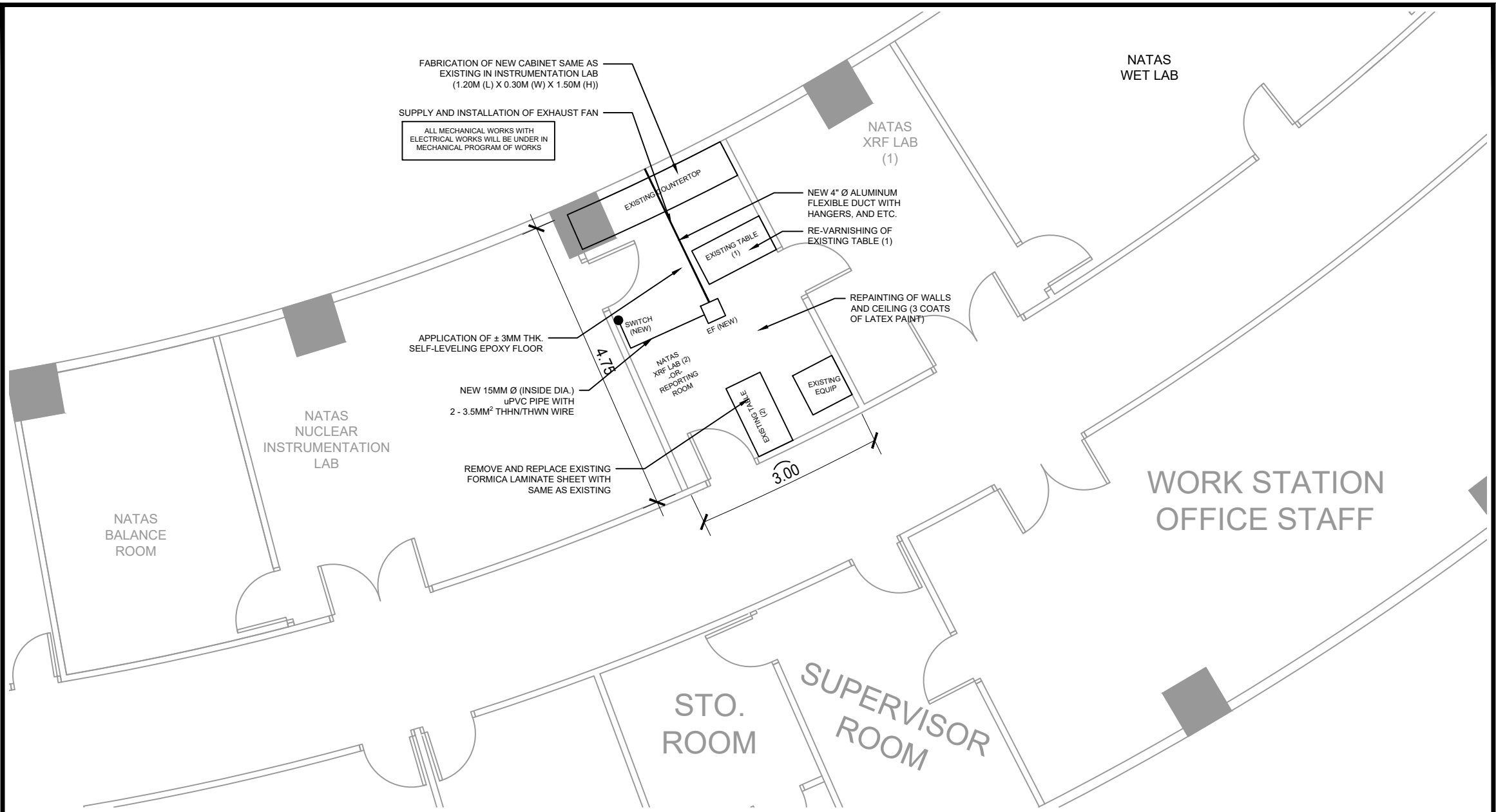


3 BALANCE ROOM DETAILS OF CABINET (B-1) - 1 SET  
A - 25 SCALE NTS

NATAS


 <p>Republic of the Philippines DEPARTMENT OF SCIENCE AND TECHNOLOGY PHILIPPINE NUCLEAR RESEARCH INSTITUTE COMMONWEALTH AVENUE, DILIMAN, QUEZON CITY</p>	<b>PROJECT TITLE:</b>	<b>SHEET CONTENT/S:</b>	<b>PREPARED BY:</b>	<b>RECOMMENDING APPROVALS:</b>	<b>APPROVED BY:</b>	<b>DRAWN BY:</b>	<b>SHEET NO.</b>	
	UPGRADING OF ARC BUILDING (C.Y. 2025)	BALANCE ROOM - DETAILS OF WATERPROOFING WORKS - DETAILS OF WOODEN BALANCE ROOM - DETAILS OF CABINET	ENGR. ANDREW C. BARRIDA SSRS, ESS	ENGR. ARTURO F. SALIH ESS, HEAD CHITHO P. FELICIANO, Ph.D. END-USER, HEAD, HPRS NEIL RAYMUND D. GUILLERMO, M. Sc CHIEF, ARD	ENGR. ROSALINO B. REJAS SSRS, ESS	ENGR. HAYDEE M. SOLOMON OIC-CHIEF, NSD VALLERIE ANN I. SAMSON, Ph. D. DEPUTY DIRECTOR	CARLO A. ARCILLA, Ph. D. DIRECTOR	A - 25
							ENGR. C. PELMONTE	PAGE NO. OF TOTAL NO. OF PAGES
							DATE:	25 of 84

GENERAL NOTE: DRAWINGS MAY NOT BE IN SCALE. USE MARKED DIMENSIONS. VERIFY ACTUAL MEASUREMENTS. INFORM THE DESIGN TEAM OF ANY DISCREPANCIES FOUND IN THE DRAWINGS, DOCUMENTS, AND ACTUAL SITE CONDITIONS.

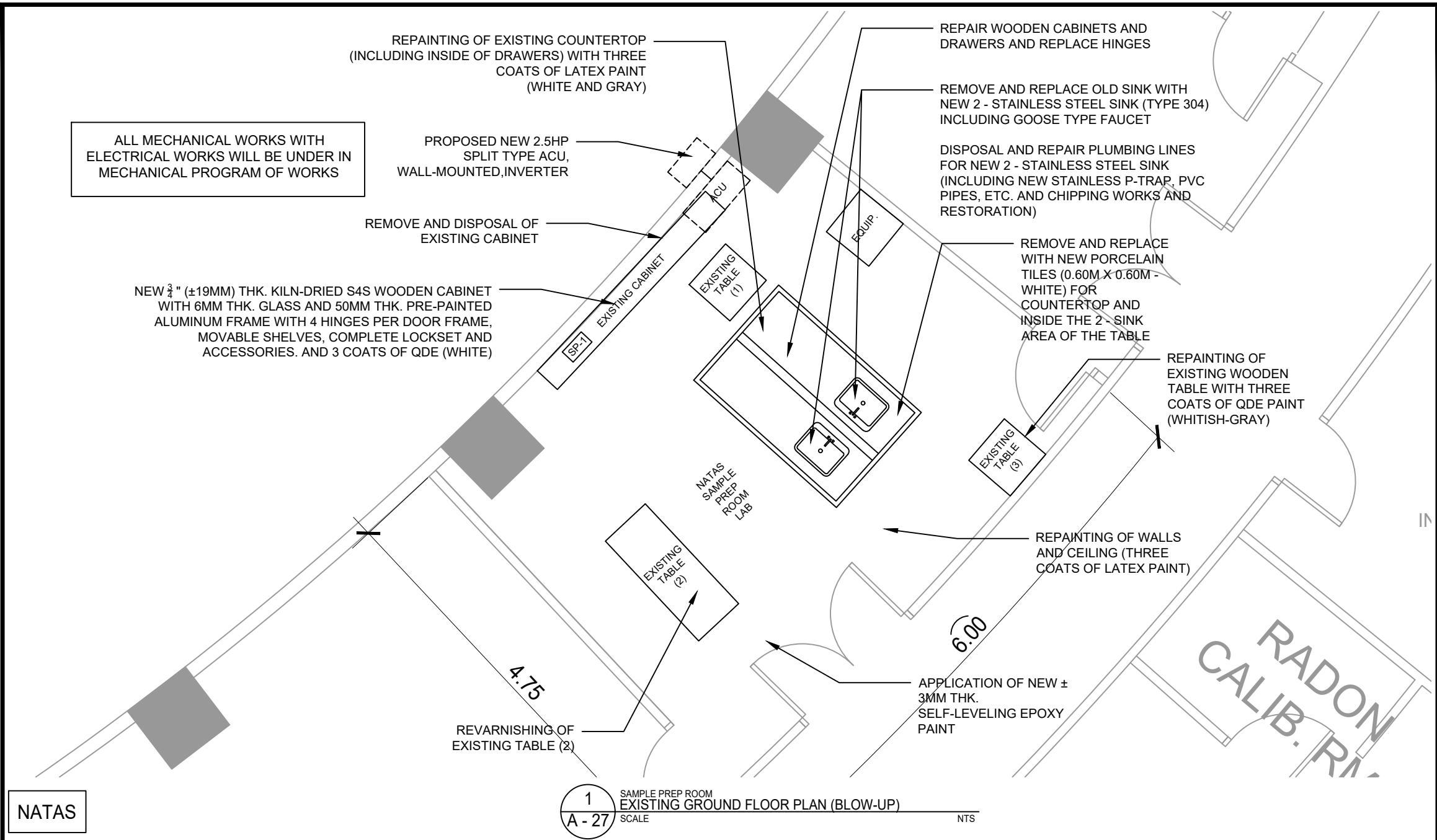


NATAS

1 XRF LAB (2) -OR- REPORTING ROOM  
 A - 26 EXISTING GROUND FLOOR PLAN (BLOW-UP)  
 SCALE NTS


 <p>Republic of the Philippines          DEPARTMENT OF SCIENCE AND TECHNOLOGY          PHILIPPINE NUCLEAR RESEARCH INSTITUTE          COMMONWEALTH AVENUE, DILIMAN, QUEZON CITY</p>	<b>PROJECT TITLE:</b>	<b>SHEET CONTENT/S:</b>	<b>PREPARED BY:</b>	<b>RECOMMENDING APPROVALS:</b>	<b>APPROVED BY:</b>	<b>DRAWN BY:</b>	<b>SHEET NO.</b>
	UPGRADING OF ARC BUILDING (C.Y. 2025)	XRF LAB (2) -OR- REPORTING ROOM - EXISTING GROUND FLOOR PLAN (BLOW-UP)	ENGR. ANDREW C. BARRIDA SSRS, ESS	ENGR. ARTURO F. SALIH ESS, HEAD CHITHO P. FELICIANO, Ph.D. END-USER, HEAD, HPRS	ENGR. CARLO A. ARCILLA, Ph. D. DIRECTOR	ENGR. C. PELMONTE	A - 26
			ENGR. ROSALINO B. REJAS SSRS, ESS	NEIL RAYMUND D. GUILLERMO, M. Sc CHIEF, ARD		DATE:	PAGE NO. OF TOTAL NO. OF PAGES
				ENGR. HAYDEE M. SOLOMON OIC-CHIEF, NSD	VALLERIE ANN I. SAMSON, Ph. D. DEPUTY DIRECTOR		26 of 84

GENERAL NOTE: DRAWINGS MAY NOT BE IN SCALE. USE MARKED DIMENSIONS. VERIFY ACTUAL MEASUREMENTS. INFORM THE DESIGN TEAM OF ANY DISCREPANCIES FOUND IN THE DRAWINGS, DOCUMENTS, AND ACTUAL SITE CONDITIONS.

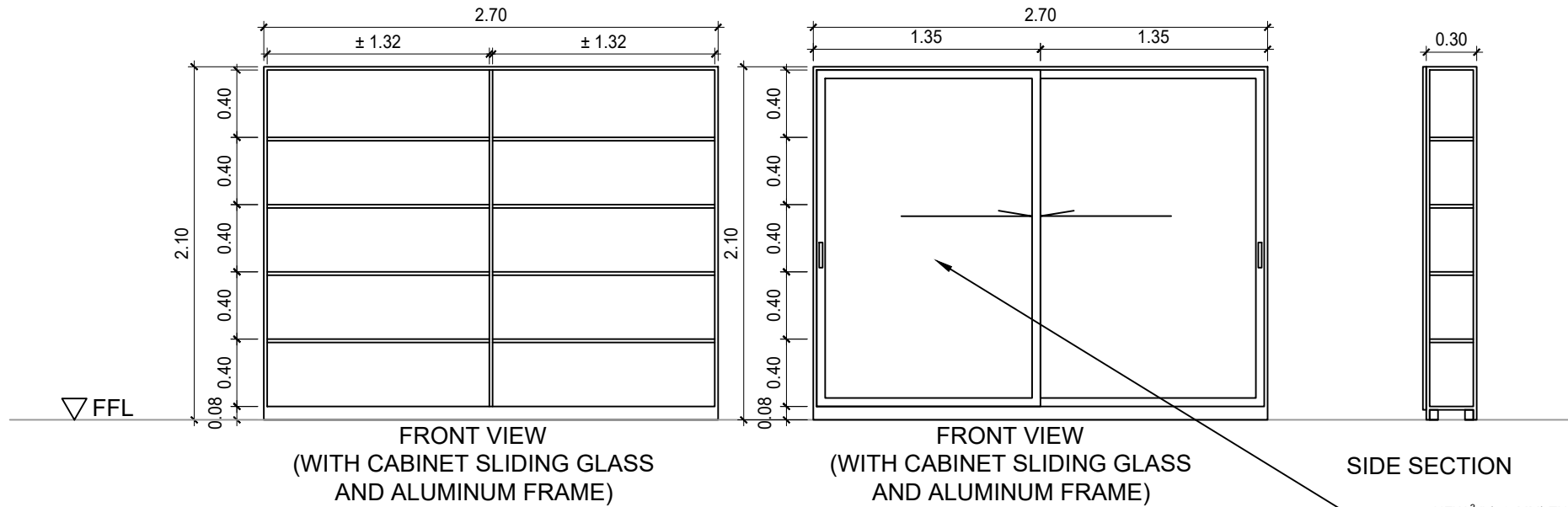


NATAS

1  
A - 27  
SCALE  
SAMPLE PREP ROOM  
EXISTING GROUND FLOOR PLAN (BLOW-UP)  
NTS

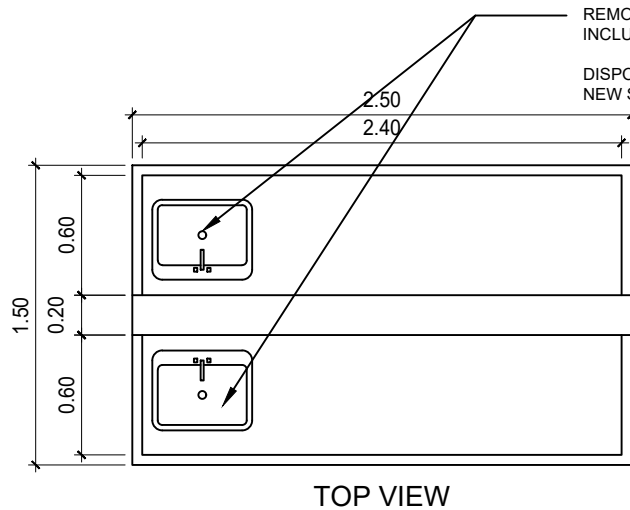
 <p>Republic of the Philippines DEPARTMENT OF SCIENCE AND TECHNOLOGY PHILIPPINE NUCLEAR RESEARCH INSTITUTE COMMONWEALTH AVENUE, DILIMAN, QUEZON CITY</p>	<b>PROJECT TITLE:</b>	<b>SHEET CONTENT/S:</b>	<b>PREPARED BY:</b>	<b>RECOMMENDING APPROVALS:</b>	<b>APPROVED BY:</b>	<b>DRAWN BY:</b>	<b>SHEET NO.</b>	
	UPGRADING OF ARC BUILDING (C.Y. 2025)	SAMPLE PREP ROOM - EXISTING GROUND FLOOR PLAN (BLOW-UP)	<u>ENGR. ANDREW C. BARRIDA</u> SSRS, ESS  <u>ENGR. ROSALINO B. REJAS</u> SSRS, ESS	<u>ENGR. ARTURO F. SALIH</u> ESS, HEAD <u>NEIL RAYMUND D. GUILLERMO, M. Sc</u> CHIEF, ARD <u>ENGR. HAYDEE M. SOLOMON</u> OIC-CHIEF, NSD <u>CHITHO P. FELICIANO, Ph.D.</u> END-USER, HEAD, HPRS	<u>CARLO A. ARCILLA, Ph. D.</u> DIRECTOR	<u>ENGR. C. PELMONTE</u> CHECKED BY:  DATE:	A - 27  PAGE NO. OF TOTAL NO. OF PAGES 27 of 84	

GENERAL NOTE: DRAWINGS MAY NOT BE IN SCALE. USE MARKED DIMENSIONS. VERIFY ACTUAL MEASUREMENTS. INFORM THE DESIGN TEAM OF ANY DISCREPANCIES FOUND IN THE DRAWINGS, DOCUMENTS, AND ACTUAL SITE CONDITIONS.



1  
A - 28  
SAMPLE PREP ROOM  
PROPOSED CABINET (SP-1) - 1 SET  
SCALE NTS

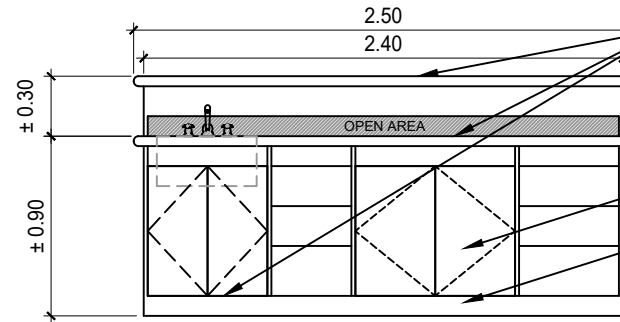
NEW  $\frac{3}{4}$ " ( $\pm 19$ MM) THK. KILN-DRIED S4S WOODEN CABINET WITH 6MM THK. GLASS AND 50MM THK. PRE-PAINTED ALUMINUM SLIDING FRAME, MOVABLE SHELVES, COMPLETE LOCKSET AND ACCESSORIES. AND 3 COATS OF QDE (WHITE)



REMOVE AND REPLACE OLD SINK WITH NEW 2 - STAINLESS STEEL SINK (TYPE 304) INCLUDING GOOSE TYPE FAUCET

DISPOSAL AND REPAIR PLUMBING LINES FOR NEW 2 - STAINLESS STEEL SINK (INCLUDING NEW STAINLESS P-TRAP, PVC PIPES, ETC. AND CHIPPING WORKS AND RESTORATION)

TOP VIEW



REMOVE AND REPLACE WITH NEW PORCELAIN TILES (0.60M X 0.60M - WHITE) FOR COUNTERTOP AND INSIDE THE 2 - SINK AREA OF THE TABLE

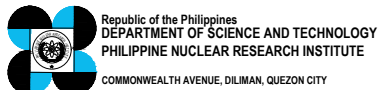
REPAIR WOODEN CABINETS AND DRAWERS AND REPLACE HINGES

REPAINTING OF EXISTING COUNTERTOP (INCLUDING INSIDE OF DRAWERS) WITH THREE COATS OF LATEX PAINT (WHITE AND GRAY)

FRONT VIEW (ONE SIDE)

2  
A - 28  
SAMPLE PREP ROOM  
EXISTING COUNTERTOP  
SCALE NTS

NATAS



PROJECT TITLE:	SHEET CONTENT/S:	PREPARED BY:	RECOMMENDING APPROVALS:	APPROVED BY:	DRAWN BY:	SHEET NO.
UPGRADING OF ARC BUILDING (C.Y. 2025)	SAMPLE PREP ROOM - PROPOSED CABINET - 1 SET - EXISTING COUNTERTOP	ENGR. ANDREW C. BARRIDA SSRS, ESS	ENGR. ARTURO F. SALIH ESS, HEAD CHITHO P. FELICIANO, Ph.D. END-USER, HEAD, HPRS NEIL RAYMUND D. GUILLERMO, M. Sc CHIEF, ARD	CARLO A. ARCILLA, Ph. D. DIRECTOR	ENGR. C. PELMONTE	A - 28
		ENGR. ROSALINO B. REJAS SSRS, ESS	ENGR. HAYDEE M. SOLOMON OIC-CHIEF, NSD VALLERIE ANN I. SAMSON, Ph. D. DEPUTY DIRECTOR		CHECKED BY:	PAGE NO. OF TOTAL NO. OF PAGES
					DATE:	28 of 84

NATAS  
LOW  
LEVELING  
COUNTING  
ROOM

CREATE AUTOMATIC  
TIMER SWITCH FOR 3  
EXISTING ACU

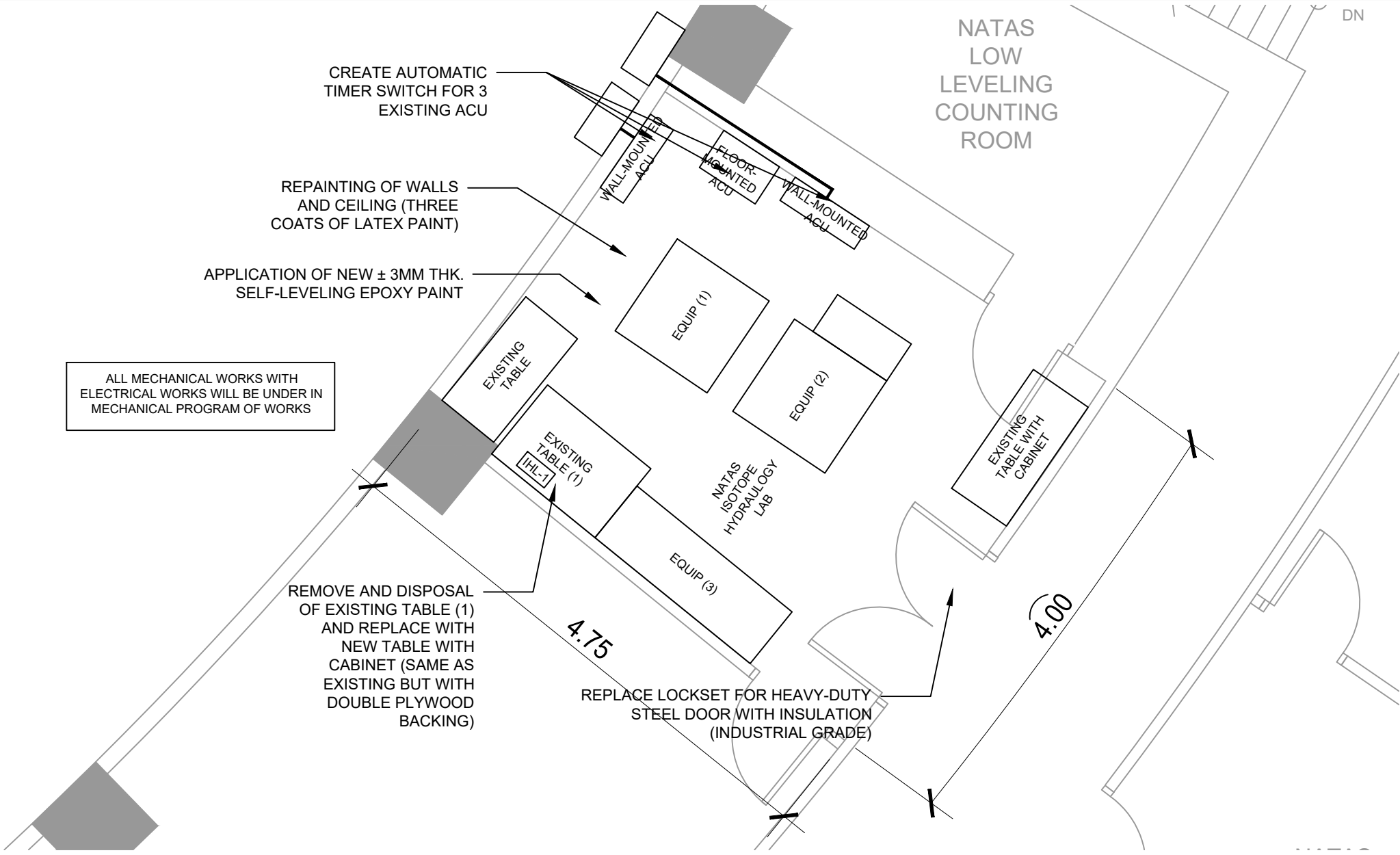
REPAINTING OF WALLS  
AND CEILING (THREE  
COATS OF LATEX PAINT)

APPLICATION OF NEW ± 3MM THK.  
SELF-LEVELING EPOXY PAINT

ALL MECHANICAL WORKS WITH  
ELECTRICAL WORKS WILL BE UNDER IN  
MECHANICAL PROGRAM OF WORKS


REMOVE AND DISPOSAL  
OF EXISTING TABLE (1)  
AND REPLACE WITH  
NEW TABLE WITH  
CABINET (SAME AS  
EXISTING BUT WITH  
DOUBLE PLYWOOD  
BACKING)

REPLACE LOCKSET FOR HEAVY-DUTY  
STEEL DOOR WITH INSULATION  
(INDUSTRIAL GRADE)

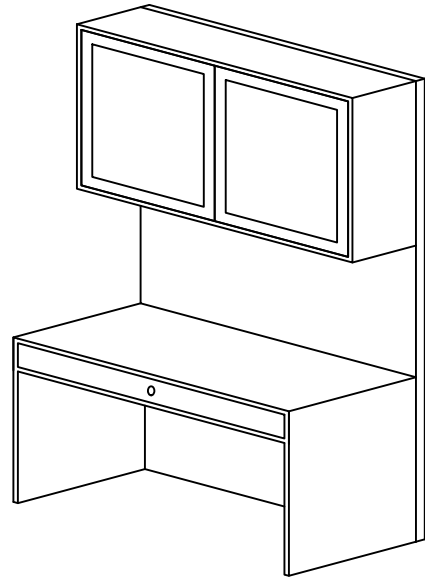


NATAS

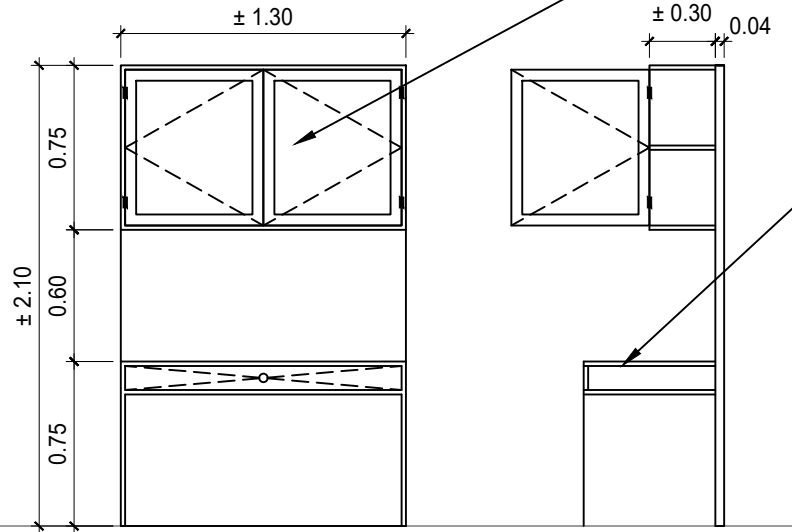
1 ISOTOPE HYDROLOGY LABORATORY  
EXISTING GROUND FLOOR PLAN (BLOW-UP)  
A - 29 SCALE NTS

 <p>Republic of the Philippines DEPARTMENT OF SCIENCE AND TECHNOLOGY PHILIPPINE NUCLEAR RESEARCH INSTITUTE COMMONWEALTH AVENUE, DILIMAN, QUEZON CITY</p>	<b>PROJECT TITLE:</b>	<b>SHEET CONTENT/S:</b>	<b>PREPARED BY:</b>	<b>RECOMMENDING APPROVALS:</b>	<b>APPROVED BY:</b>	<b>DRAWN BY:</b>	<b>SHEET NO.</b>
	UPGRADING OF ARC BUILDING (C.Y. 2025)	ISOTOPE HYDROLOGY LABORATORY - EXISTING GROUND FLOOR PLAN (BLOW-UP)	ENGR. ANDREW C. BARRIDA SSRS, ESS	ENGR. ARTURO F. SALIH ESS, HEAD CHITHO P. FELICIANO, Ph.D. END-USER, HEAD, HPRS	ENGR. CARLO A. ARCILLA, Ph. D. DIRECTOR	ENGR. C. PELMONTE	A - 29
			ENGR. ROSALINO B. REJAS SSRS, ESS	NEIL RAYMUND D. GUILLERMO, M. Sc CHIEF, ARD		DATE:	PAGE NO. OF TOTAL NO. OF PAGES
				ENGR. HAYDEE M. SOLOMON OIC-CHIEF, NSD	VALLERIE ANN I. SAMSON, Ph. D. DEPUTY DIRECTOR		29 of 84

GENERAL NOTE: DRAWINGS MAY NOT BE IN SCALE. USE MARKED DIMENSIONS. VERIFY ACTUAL MEASUREMENTS. INFORM THE DESIGN TEAM OF ANY DISCREPANCIES FOUND IN THE DRAWINGS, DOCUMENTS, AND ACTUAL SITE CONDITIONS.



PERSPECTIVE



FRONT VIEW


SIDE VIEW

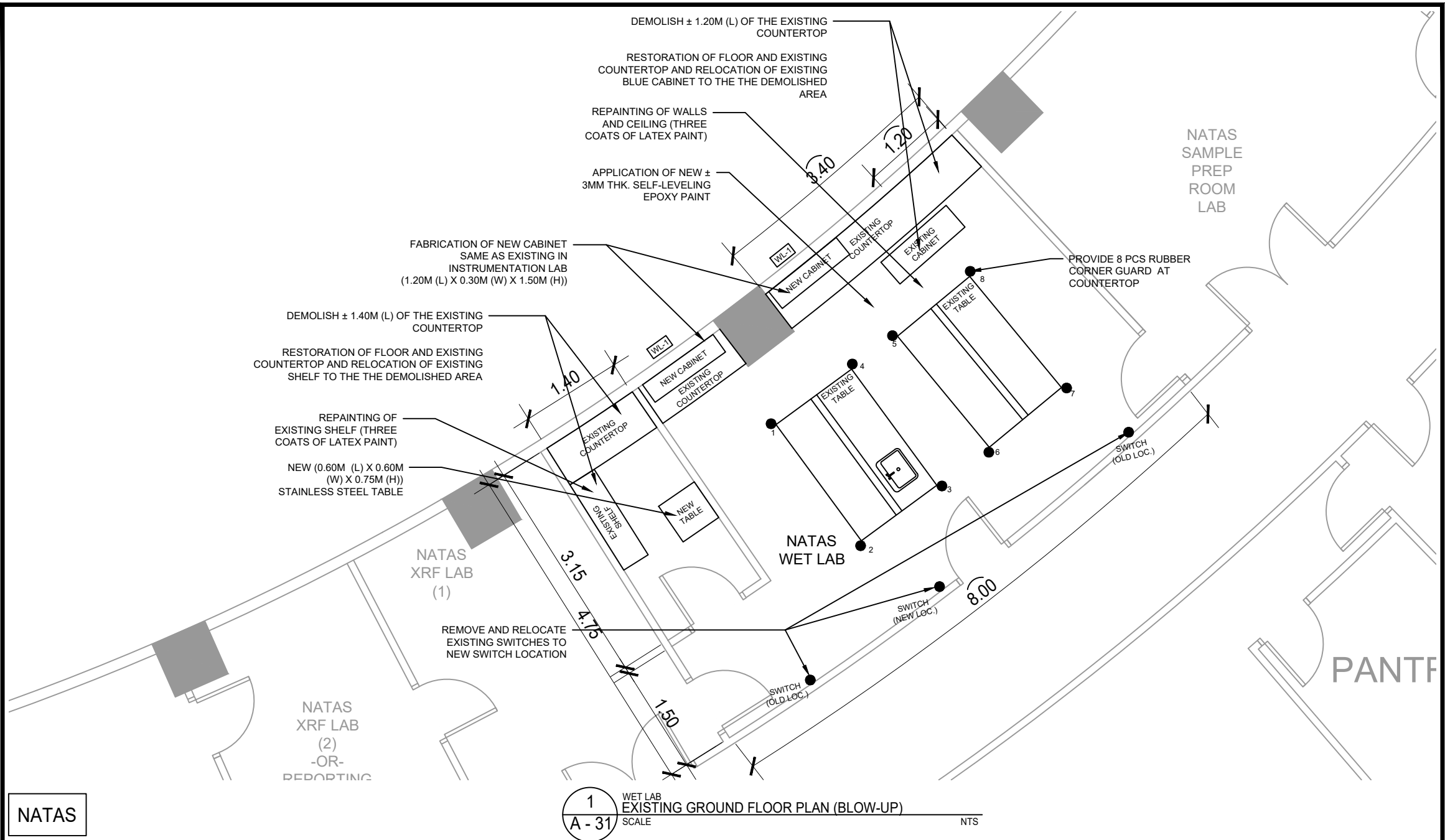
REMOVE AND DISPOSAL OF EXISTING TABLE (1) AND REPLACE WITH NEW TABLE WITH CABINET (SAME AS EXISTING BUT WITH DOUBLE PLYWOOD BACKING)

NEW  $\frac{3}{4}$ " ( $\pm 19$ MM) THK. KILN-DRIED S4S WOODEN TABLE WITH CABINET WITH 6MM THK. GLASS AND 50MM THK. PRE-PAINTED ALUMINUM FRAME WITH 2 HINGES PER DOOR FRAME, MOVABLE SHELF, DRAWER, COMPLETE PUSH-TO-OPEN LOCKSET AND ACCESSORIES. AND 3 COATS OF QDE (WHITE) (DIMENSION SAME AS EXISTING)

NATAS


1 ISOTOPE HYDROLOGY LABORATORY  
 A - 30 DETAILS OF EXISTING TABLE WITH CABINET (IHL-1) - 1 SET  
 SCALE NTS

 <p>Republic of the Philippines          DEPARTMENT OF SCIENCE AND TECHNOLOGY          PHILIPPINE NUCLEAR RESEARCH INSTITUTE          COMMONWEALTH AVENUE, DILIMAN, QUEZON CITY</p>	<b>PROJECT TITLE:</b>	<b>SHEET CONTENT/S:</b>	<b>PREPARED BY:</b>	<b>RECOMMENDING APPROVALS:</b>	<b>APPROVED BY:</b>	<b>DRAWN BY:</b>	<b>SHEET NO.</b>
	UPGRADING OF ARC BUILDING (C.Y. 2025)	ISOTOPE HYDROLOGY LABORATORY - DETAILS OF EXISTING TABLE WITH CABINET - 1 SET	<u>ENGR. ANDREW C. BARRIDA</u> <small>SSRS, ESS</small>  <u>ENGR. ROSALINO B. REJAS</u> <small>SSRS, ESS</small>	<u>ENGR. ARTURO F. SALIH</u> <small>ESS, HEAD</small>  <u>NEIL RAYMUND D. GUILLERMO, M. Sc</u> <small>CHIEF, ARD</small>  <u>ENGR. HAYDEE M. SOLOMON</u> <small>OIC-CHIEF, NSD</small>	<u>CHITHO P. FELICIANO, Ph.D.</u> <small>END-USER, HEAD, HPRS</small>  <u>VALLERIE ANN I. SAMSON, Ph. D.</u> <small>DEPUTY DIRECTOR</small>	<u>ENGR. C. PELMONTE</u> <small>CHECKED BY:</small>  <small>DATE:</small>	A - 30
					<u>CARLO A. ARCILLA, Ph. D.</u> <small>DIRECTOR</small>		PAGE NO. OF TOTAL NO. OF PAGES
							30 of 84



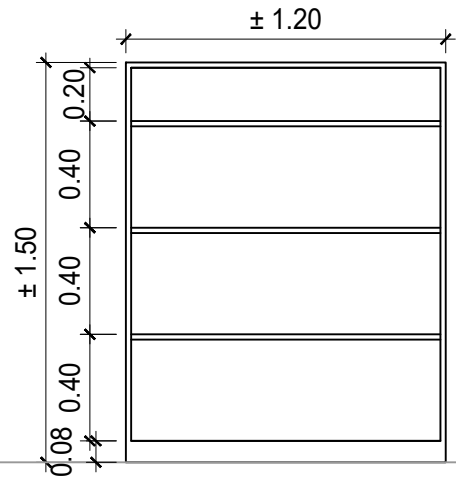
NATAS

1 WET LAB EXISTING GROUND FLOOR PLAN (BLOW-UP)  
 A - 31 SCALE NTS

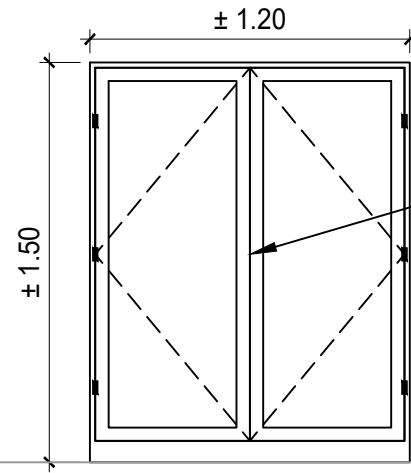
 <p>Republic of the Philippines          DEPARTMENT OF SCIENCE AND TECHNOLOGY          PHILIPPINE NUCLEAR RESEARCH INSTITUTE          COMMONWEALTH AVENUE, DILIMAN, QUEZON CITY</p>	<b>PROJECT TITLE:</b>	<b>SHEET CONTENT/S:</b>	<b>PREPARED BY:</b>	<b>RECOMMENDING APPROVALS:</b>	<b>APPROVED BY:</b>	<b>DRAWN BY:</b>	<b>SHEET NO.</b>	
	UPGRADING OF ARC BUILDING (C.Y. 2025)	WET LAB - EXISTING GROUND FLOOR PLAN (BLOW-UP)	ENGR. ANDREW C. BARRIDA SSRS, ESS	ENGR. ARTURO F. SALIH ESS, HEAD CHITHO P. FELICIANO, Ph.D. END-USER, HEAD, HPRS	ENGR. ROSALINO B. REJAS SSRS, ESS	NEIL RAYMUND D. GUILLERMO, M. Sc CHIEF, ARD	ENGR. C. PELMONTE	A - 31
				ENGR. HAYDEE M. SOLOMON OIC-CHIEF, NSD	VALLERIE ANN I. SAMSON, Ph. D. DEPUTY DIRECTOR	CARLO A. ARCILLA, Ph. D. DIRECTOR	CHECKED BY:	PAGE NO. OF TOTAL NO. OF PAGES
							DATE:	31 of 84

GENERAL NOTE: DRAWINGS MAY NOT BE IN SCALE. USE MARKED DIMENSIONS. VERIFY ACTUAL MEASUREMENTS. INFORM THE DESIGN TEAM OF ANY DISCREPANCIES FOUND IN THE DRAWINGS, DOCUMENTS, AND ACTUAL SITE CONDITIONS.

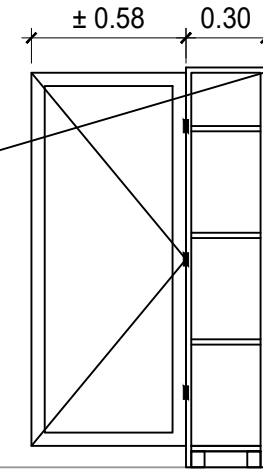
▽ COUNTERTOP



FRONT VIEW  
(WITHOUT CABINET DOORS)



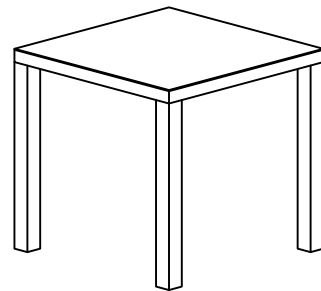
FRONT VIEW  
(WITH CABINET DOORS)



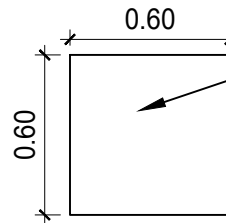
SIDE SECTION

NEW 6MM THK. GLASS AND 50MM THK. PRE-PAINTED ALUMINUM FRAME WITH 3 HINGES PER DOOR FRAME, MOVABLE SHELVES, COMPLETE PUSH-TO-OPEN LOCKSET AND ACCESSORIES. AND REPAINTING OF EXISTING COUNTERTOP CABINET (3 COATS OF QDE (WHITE))

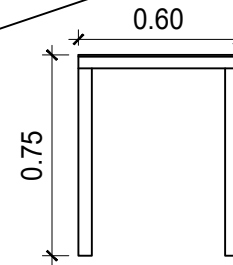
1  
A - 32 WET LAB  
DETAILS OF COUNTERTOP CABINET (WL-1) - 2 SETS  
SCALE NTS



PERSPECTIVE



TOP VIEW

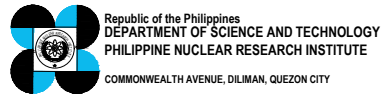


SIDE VIEW

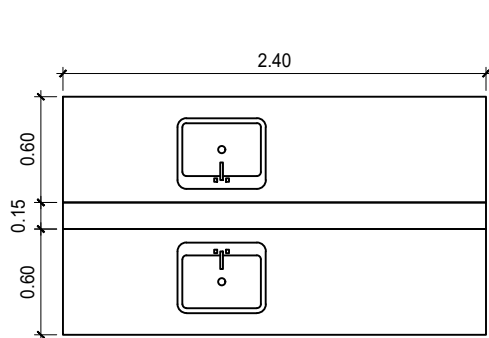
NEW (0.60M (L) X 0.60M (W) X 0.75M (H)) STAINLESS STEEL TABLE, TYPE 304, 1.00MM THK, PLAIN FINISH

2  
A - 32 WET LAB  
DETAILS OF STAINLESS STEEL TABLE (1 SET)  
SCALE NTS

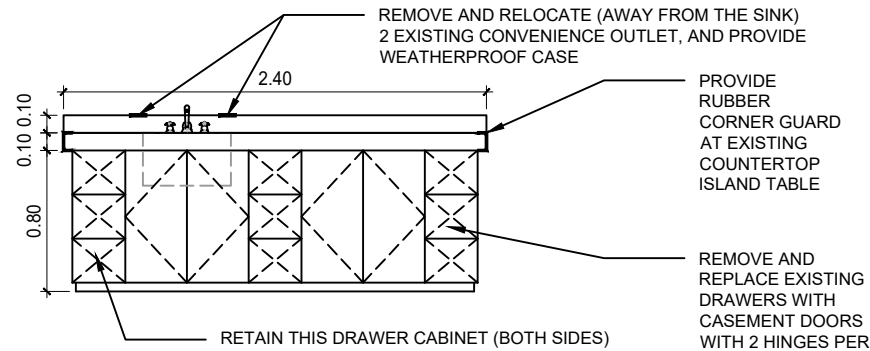
NATAS



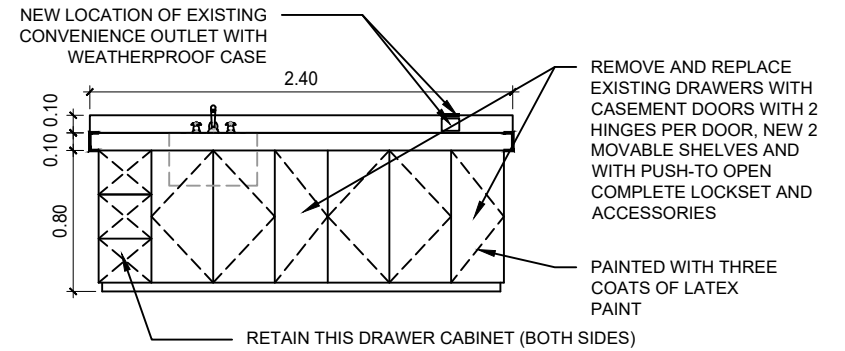
PROJECT TITLE:	SHEET CONTENT/S:	PREPARED BY:	RECOMMENDING APPROVALS:	APPROVED BY:	DRAWN BY:	SHEET NO.
UPGRADING OF ARC BUILDING (C.Y. 2025)	WET LAB - DETAILS OF COUNTERTOP CABINET (2 SETS) - DETAILS OF STAINLESS STEEL TABLE (1 SET)	ENGR. ANDREW C. BARRIDA SSRS, ESS  ENGR. ROSALINO B. REJAS SSRS, ESS	ENGR. ARTURO F. SALIH ESS, HEAD CHITHO P. FELICIANO, Ph.D. END-USER, HEAD, HPRS NEIL RAYMUND D. GUILLERMO, M. Sc CHIEF, ARD ENGR. HAYDEE M. SOLOMON OIC-CHIEF, NSD VALLERIE ANN I. SAMSON, Ph. D. DEPUTY DIRECTOR	CARLO A. ARCILLA, Ph. D. DIRECTOR	ENGR. C. PELMONTE CHECKED BY: DATE:	A - 32 PAGE NO. OF TOTAL NO. OF PAGES 32 of 84



PERSPECTIVE

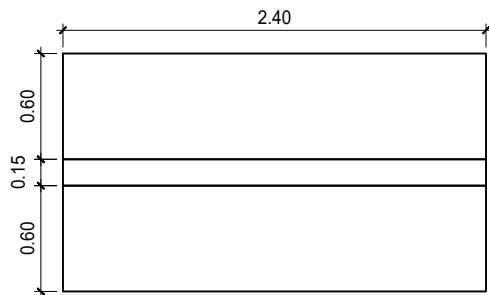


EXISTING ISLAND TABLE

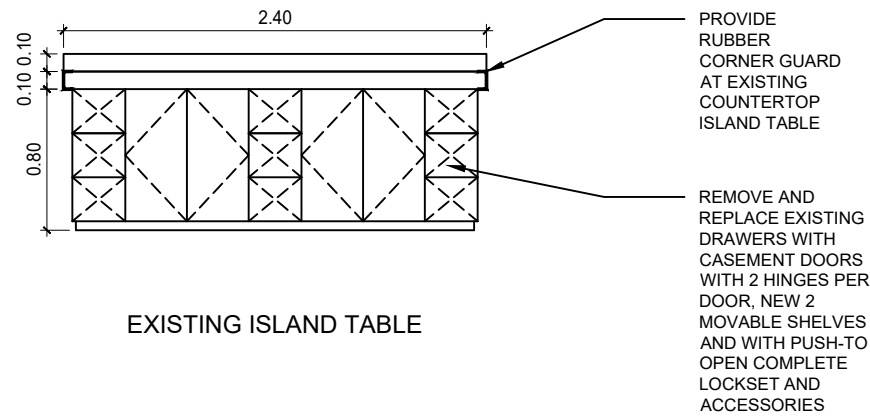


PROPOSED ISLAND TABLE

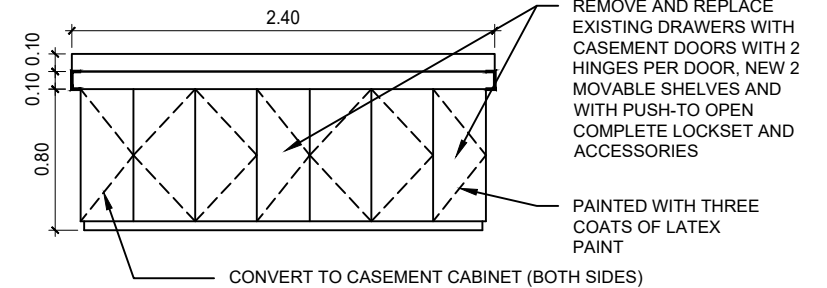
1 WET LAB  
EXISTING TABLE WITH SINK  
A - 33 SCALE NTS



PERSPECTIVE



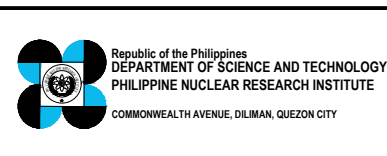
EXISTING ISLAND TABLE



PROPOSED ISLAND TABLE

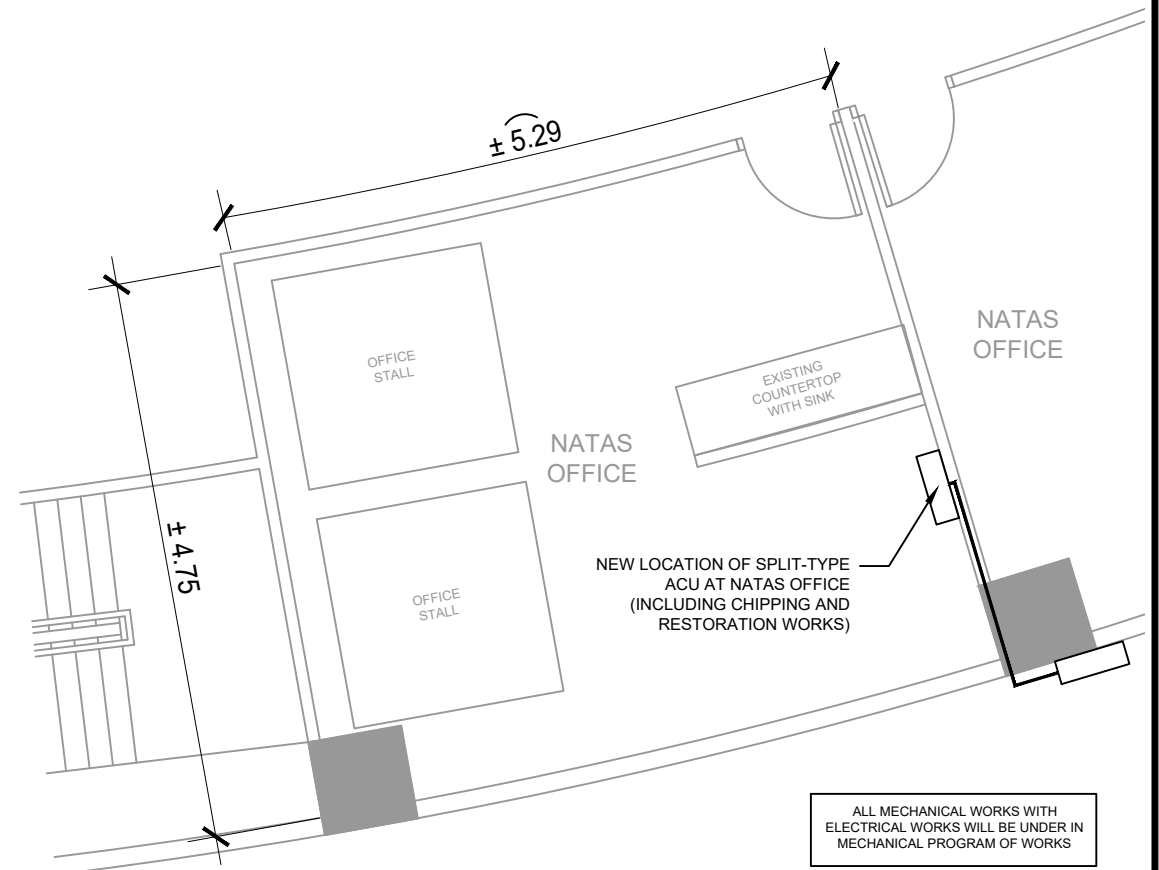
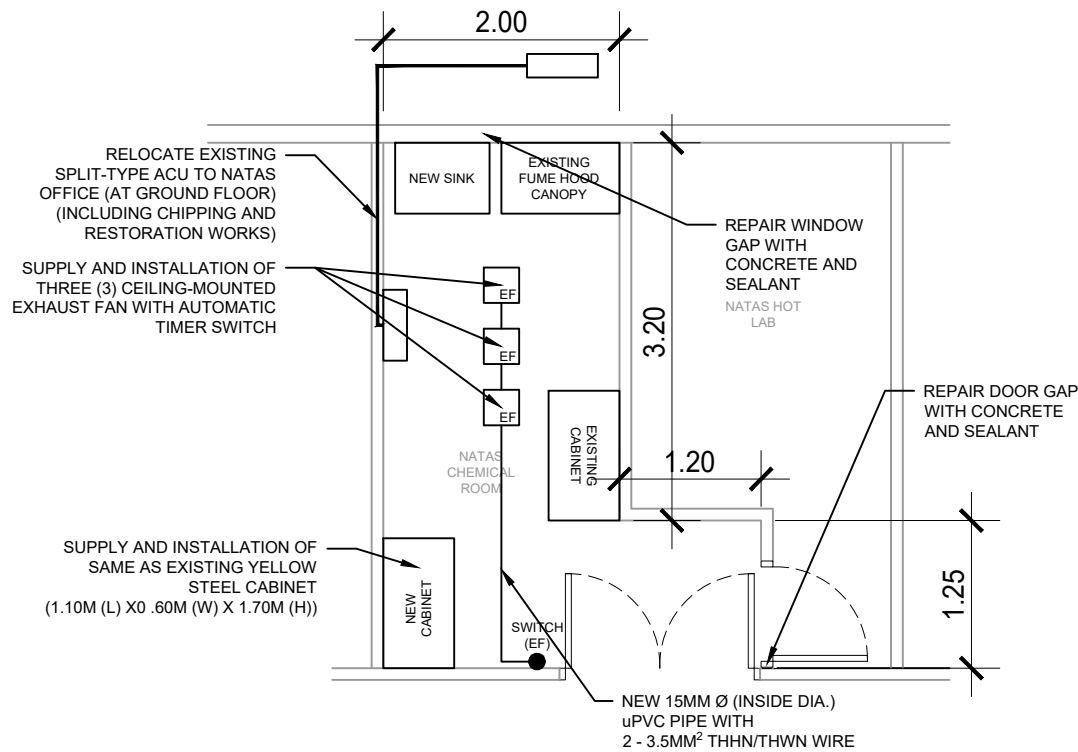
2 WET LAB  
EXISTING TABLE WITHOUT SINK  
A - 33 SCALE NTS

NATAS



PROJECT TITLE:	SHEET CONTENT/S:	PREPARED BY:	RECOMMENDING APPROVALS:	APPROVED BY:	DRAWN BY:	SHEET NO.
UPGRADING OF ARC BUILDING (C.Y. 2025)	WET LAB - EXISTING TABLE WITH SINK - EXISTING TABLE WITHOUT SINK	ENGR. ANDREW C. BARRIDA SSRS, ESS	ENGR. ARTURO F. SALIH ESS, HEAD CHITHO P. FELICIANO, Ph.D. END-USER, HEAD, HPRS NEIL RAYMUND D. GUILLERMO, M. Sc CHIEF, ARD	CARLO A. ARCILLA, Ph. D. DIRECTOR	ENGR. C. PELMONTE	A - 33
		ENGR. ROSALINO B. REJAS SSRS, ESS	ENGR. HAYDEE M. SOLOMON OIC-CHIEF, NSD VALLERIE ANN I. SAMSON, Ph. D. DEPUTY DIRECTOR		CHECKED BY:	PAGE NO. OF TOTAL NO. OF PAGES
					DATE:	33 of 84


GENERAL NOTE: DRAWINGS MAY NOT BE IN SCALE. USE MARKED DIMENSIONS. VERIFY ACTUAL MEASUREMENTS. INFORM THE DESIGN TEAM OF ANY DISCREPANCIES FOUND IN THE DRAWINGS, DOCUMENTS, AND ACTUAL SITE CONDITIONS.



NATAS

1 CHEMICAL ROOM  
A - 34 EXISTING BASEMENT FLOOR PLAN (BLOW-UP)  
SCALE NTS

2 OFFICE  
A - 34 EXISTING GROUND FLOOR PLAN (BLOW-UP)  
SCALE NTS

 Republic of the Philippines DEPARTMENT OF SCIENCE AND TECHNOLOGY PHILIPPINE NUCLEAR RESEARCH INSTITUTE COMMONWEALTH AVENUE, DILIMAN, QUEZON CITY	PROJECT TITLE:	SHEET CONTENT/S:	PREPARED BY:	RECOMMENDING APPROVALS:	APPROVED BY:	DRAWN BY:	SHEET NO.	
	UPGRADING OF ARC BUILDING (C.Y. 2025)	CHEMICAL ROOM - EXISTING BASEMENT FLOOR PLAN (BLOW-UP) OFFICE - EXISTING GROUND FLOOR PLAN (BLOW-UP)	ENGR. ANDREW C. BARRIDA SSRS, ESS	ENGR. ARTURO F. SALIH ESS, HEAD NEIL RAYMUND D. GUILLERMO, M. Sc CHIEF, ARD	CHITHO P. FELICIANO, Ph.D. END-USER, HEAD, HPRS	CARLO A. ARCILLA, Ph. D. DIRECTOR	ENGR. C. PELMONTE	A - 34
							CHECKED BY:	
							DATE:	
		ENGR. ROSALINO B. REJAS SSRS, ESS	ENGR. HAYDEE M. SOLOMON OIC-CHIEF, NSD	VALLERIE ANN I. SAMSON, Ph. D. DEPUTY DIRECTOR			PAGE NO. OF TOTAL NO. OF PAGES 34 of 84	

GENERAL NOTE: DRAWINGS MAY NOT BE IN SCALE. USE MARKED DIMENSIONS. VERIFY ACTUAL MEASUREMENTS. INFORM THE DESIGN TEAM OF ANY DISCREPANCIES FOUND IN THE DRAWINGS, DOCUMENTS, AND ACTUAL SITE CONDITIONS.

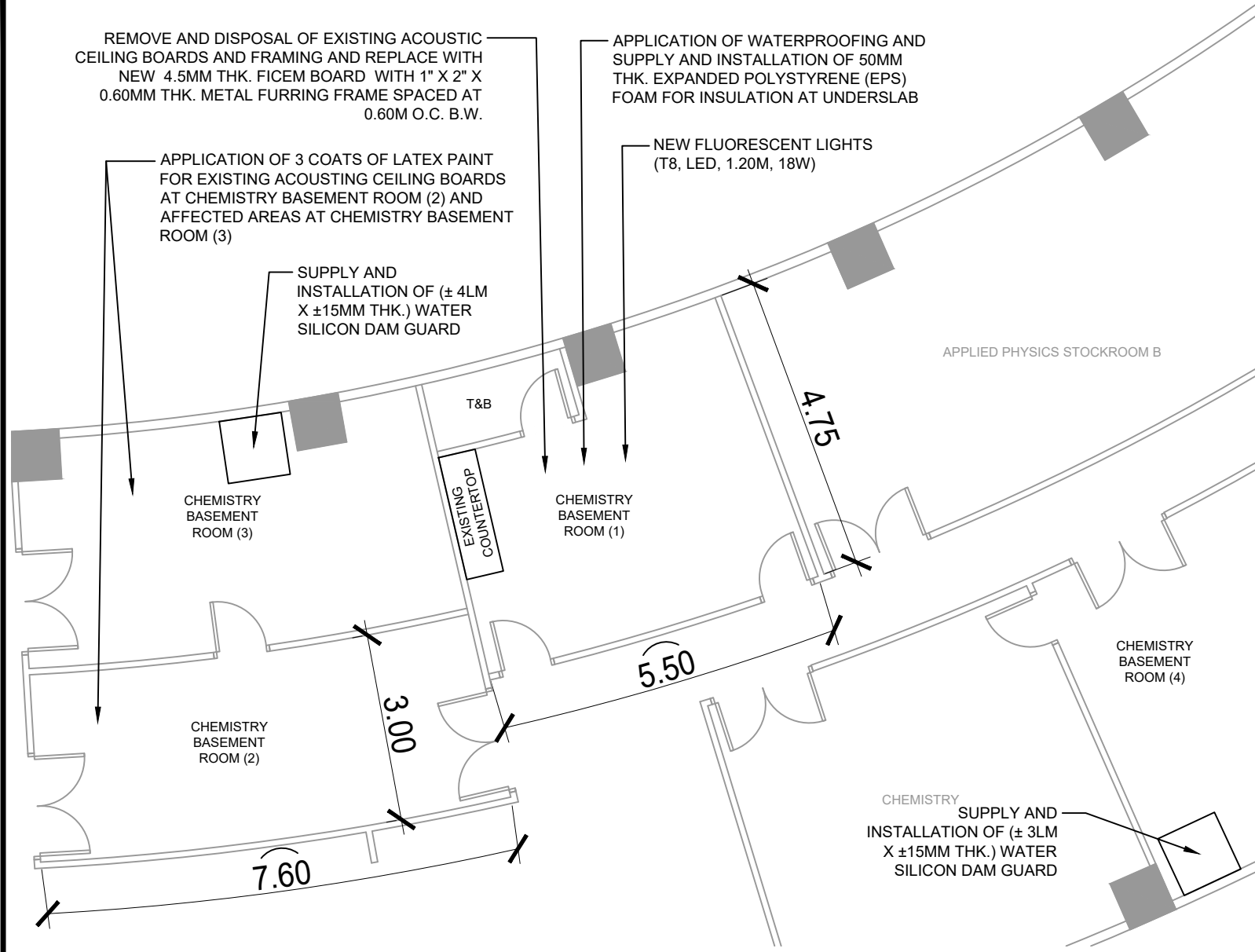
REMOVE AND DISPOSAL OF EXISTING ACOUSTIC CEILING BOARDS AND FRAMING AND REPLACE WITH NEW 4.5MM THK. FICEM BOARD WITH 1" X 2" X 0.60MM THK. METAL FURRING FRAME SPACED AT 0.60M O.C. B.W.

APPLICATION OF WATERPROOFING AND SUPPLY AND INSTALLATION OF 50MM THK. EXPANDED POLYSTYRENE (EPS) FOAM FOR INSULATION AT UNDERSLAB

NEW FLUORESCENT LIGHTS (T8, LED, 1.20M, 18W)

APPLICATION OF 3 COATS OF LATEX PAINT FOR EXISTING ACOUSTING CEILING BOARDS AT CHEMISTRY BASEMENT ROOM (2) AND AFFECTED AREAS AT CHEMISTRY BASEMENT ROOM (3)

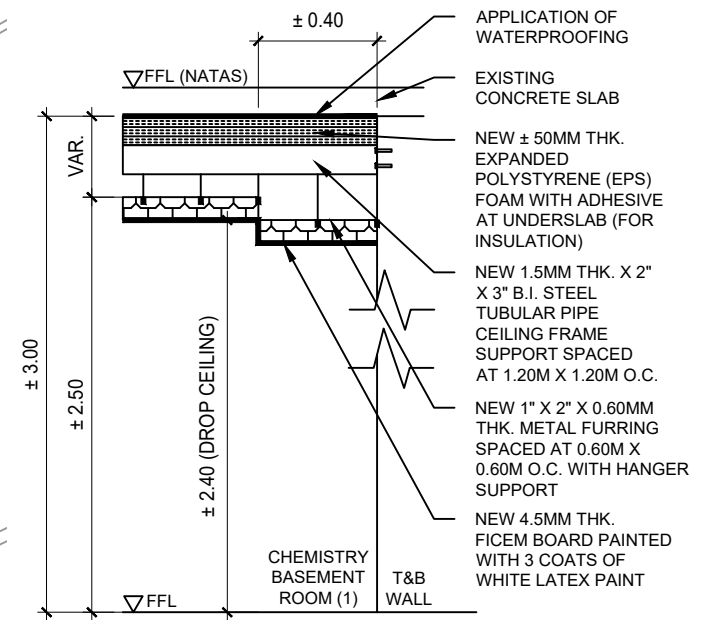
SUPPLY AND INSTALLATION OF (± 4LM X ±15MM THK.) WATER SILICON DAM GUARD



1 CHEMICAL BASEMENT ROOM  
BASEMENT FLOOR PLAN (BLOW-UP)  
SCALE NTS



2 CHEMICAL BASEMENT ROOM  
SAMPLE IMAGE OF WATER SILICON DAM GUARD  
SCALE NTS



3 CHEMICAL BASEMENT ROOM  
DETAIL OF UNDERSLAB  
SCALE NTS

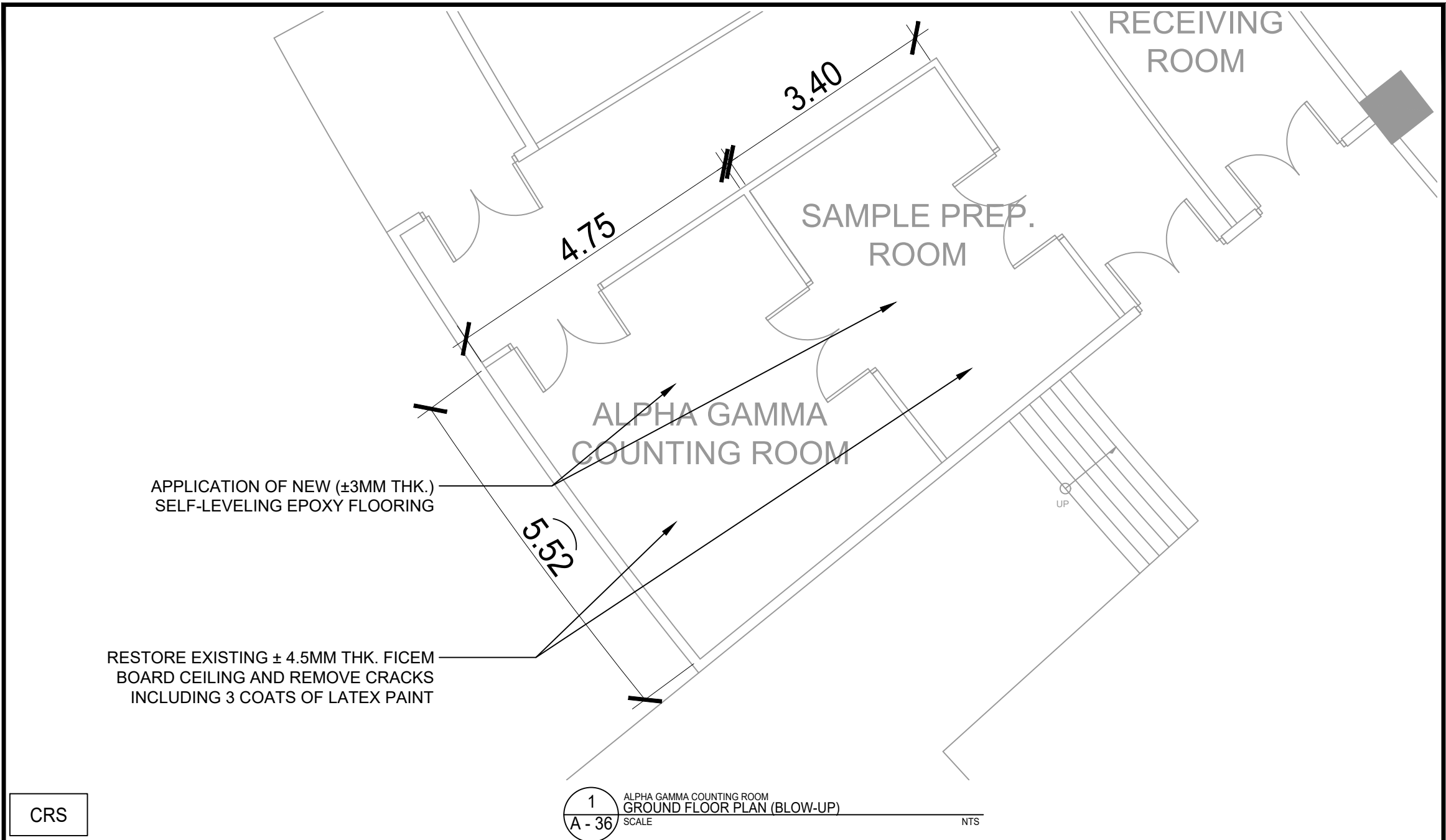
CRS

1 CHEMICAL BASEMENT ROOM  
BASEMENT FLOOR PLAN (BLOW-UP)  
SCALE NTS

3 CHEMICAL BASEMENT ROOM  
DETAIL OF UNDERSLAB  
SCALE NTS

<p>Republic of the Philippines DEPARTMENT OF SCIENCE AND TECHNOLOGY PHILIPPINE NUCLEAR RESEARCH INSTITUTE COMMONWEALTH AVENUE, DILIMAN, QUEZON CITY</p>	<b>PROJECT TITLE:</b>	<b>SHEET CONTENT/S:</b>	<b>PREPARED BY:</b>	<b>RECOMMENDING APPROVALS:</b>	<b>APPROVED BY:</b>	<b>DRAWN BY:</b>	<b>SHEET NO.</b>	
	UPGRADING OF ARC BUILDING (C.Y. 2025)	CHEMICAL BASEMENT ROOM - BASEMENT FLOOR PLAN (BLOW-UP) - SAMPLE IMAGE OF WATER SILICON DAM GUARD - DETAIL OF UNDERSLAB	ENGR. ANDREW C. BARRIDA SSRS, ESS	ENGR. ARTURO F. SALIH ESS, HEAD NEIL RAYMUND D. GUILLERMO, M. Sc CHIEF, ARD	CHITHO P. FELICIANO, Ph.D. END-USER, HEAD, HPRS	ENGR. C. PELMONTE	A - 35	
			ENGR. ROSALINO B. REJAS SSRS, ESS	ENGR. HAYDEE M. SOLOMON OIC-CHIEF, NSD	VALLERIE ANN I. SAMSON, Ph. D. DEPUTY DIRECTOR	CARLO A. ARCILLA, Ph. D. DIRECTOR	DATE:	PAGE NO. OF TOTAL NO. OF PAGES
								35 of 84

GENERAL NOTE: DRAWINGS MAY NOT BE IN SCALE. USE MARKED DIMENSIONS. VERIFY ACTUAL MEASUREMENTS. INFORM THE DESIGN TEAM OF ANY DISCREPANCIES FOUND IN THE DRAWINGS, DOCUMENTS, AND ACTUAL SITE CONDITIONS.

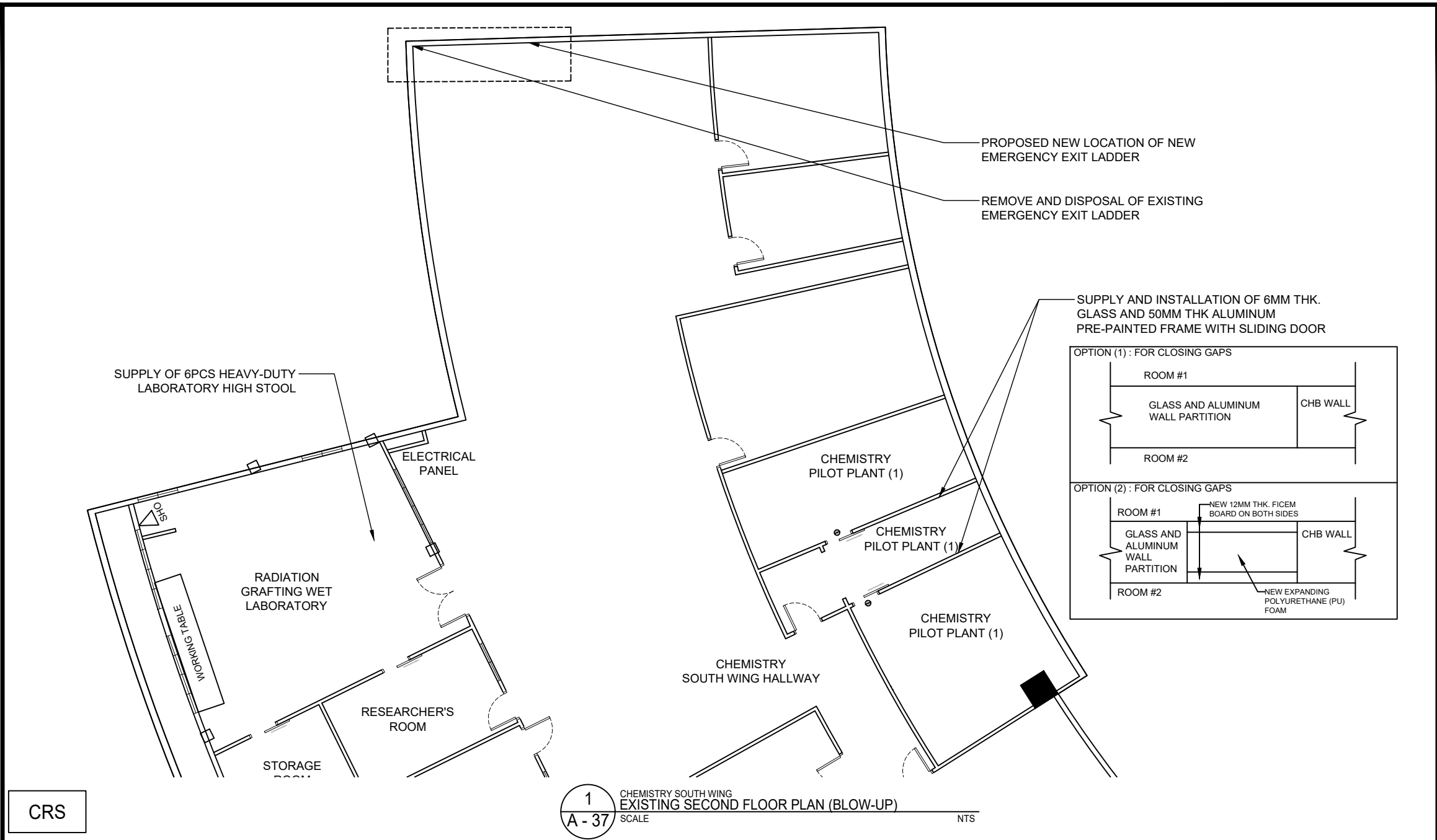


CRS

1 ALPHA GAMMA COUNTING ROOM  
GROUND FLOOR PLAN (BLOW-UP)  
SCALE A - 36 NTS


<p>Republic of the Philippines DEPARTMENT OF SCIENCE AND TECHNOLOGY PHILIPPINE NUCLEAR RESEARCH INSTITUTE COMMONWEALTH AVENUE, DILIMAN, QUEZON CITY</p>	<b>PROJECT TITLE:</b>	<b>SHEET CONTENT/S:</b>	<b>PREPARED BY:</b>	<b>RECOMMENDING APPROVALS:</b>	<b>APPROVED BY:</b>	<b>DRAWN BY:</b>	<b>SHEET NO.</b>	
	UPGRADING OF ARC BUILDING (C.Y. 2025)	ALPHA GAMMA COUNTING ROOM - GROUND FLOOR PLAN (BLOW-UP)	<u>ENGR. ANDREW C. BARRIDA</u> SSRS, ESS  <u>ENGR. ROSALINO B. REJAS</u> SSRS, ESS	<u>ENGR. ARTURO F. SALIH</u> ESS, HEAD <u>CHITHO P. FELICIANO, Ph.D.</u> END-USER, HEAD, HPRS <u>NEIL RAYMUND D. GUILLERMO, M. Sc</u> CHIEF, ARD	<u>CARLO A. ARCILLA, Ph. D.</u> DIRECTOR	<u>ENGR. C. PELMONTE</u> CHECKED BY: DATE:	A - 36	
				<u>ENGR. HAYDEE M. SOLOMON</u> OIC-CHIEF, NSD <u>VALLERIE ANN I. SAMSON, Ph. D.</u> DEPUTY DIRECTOR				PAGE NO. OF TOTAL NO. OF PAGES
								36 of 84

GENERAL NOTE: DRAWINGS MAY NOT BE IN SCALE. USE MARKED DIMENSIONS. VERIFY ACTUAL MEASUREMENTS. INFORM THE DESIGN TEAM OF ANY DISCREPANCIES FOUND IN THE DRAWINGS, DOCUMENTS, AND ACTUAL SITE CONDITIONS.

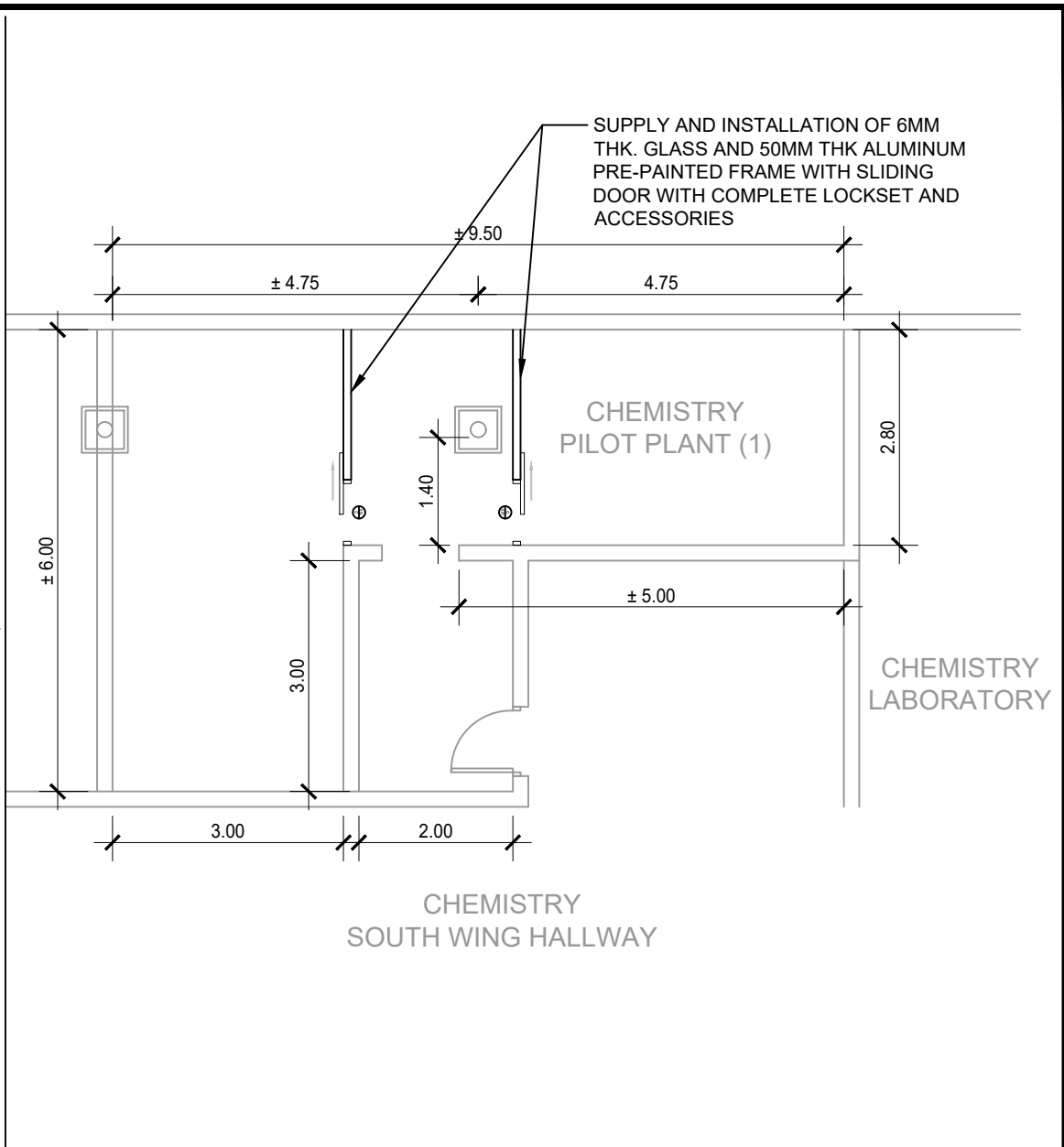
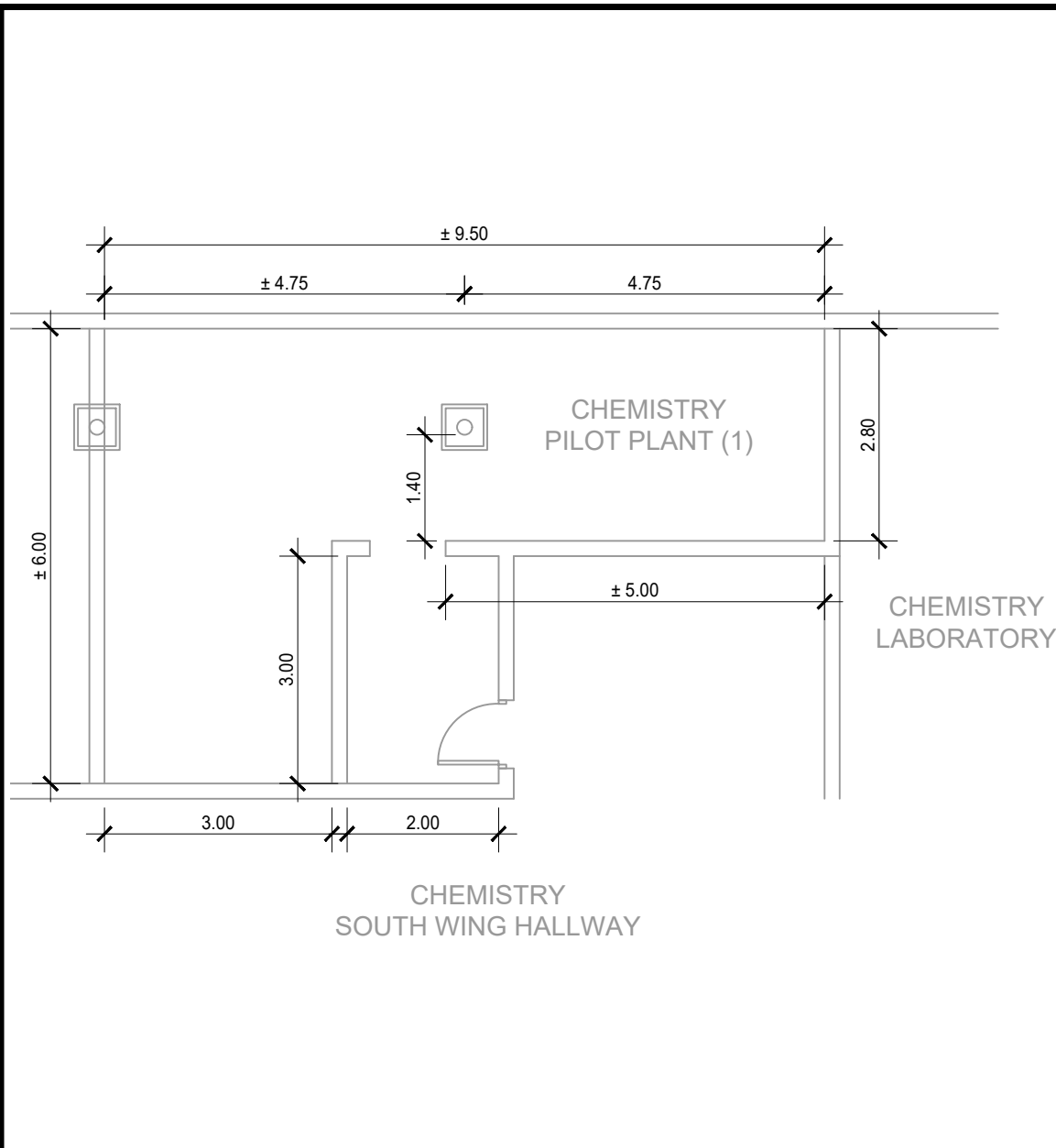


CRS

1  
A - 37  
CHEMISTRY SOUTH WING  
EXISTING SECOND FLOOR PLAN (BLOW-UP)  
SCALE NTS

 <p>Republic of the Philippines DEPARTMENT OF SCIENCE AND TECHNOLOGY PHILIPPINE NUCLEAR RESEARCH INSTITUTE COMMONWEALTH AVENUE, DILIMAN, QUEZON CITY</p>	<b>PROJECT TITLE:</b>	<b>SHEET CONTENT/S:</b>	<b>PREPARED BY:</b>	<b>RECOMMENDING APPROVALS:</b>	<b>APPROVED BY:</b>	<b>DRAWN BY:</b>	<b>SHEET NO.</b>	
	UPGRADING OF ARC BUILDING (C.Y. 2025)	CHEMISTRY SOUTH WING - EXISTING SECOND FLOOR PLAN (BLOW-UP)	<u>ENGR. ANDREW C. BARRIDA</u> SSRS, ESS  <u>ENGR. ROSALINO B. REJAS</u> SSRS, ESS	<u>ENGR. ARTURO F. SALIH</u> ESS, HEAD  <u>NEIL RAYMUND D. GUILLERMO, M. Sc</u> CHIEF, ARD  <u>ENGR. HAYDEE M. SOLOMON</u> OIC-CHIEF, NSD  <u>CHITHO P. FELICIANO, Ph.D.</u> END-USER, HEAD, HPRS  <u>VALLERIE ANN I. SAMSON, Ph. D.</u> DEPUTY DIRECTOR	<u>CARLO A. ARCILLA, Ph. D.</u> DIRECTOR	<u>ENGR. C. PELMONTE</u> CHECKED BY:  DATE:	<b>A - 37</b>  PAGE NO. OF TOTAL NO. OF PAGES <b>37 of 84</b>	

GENERAL NOTE: DRAWINGS MAY NOT BE IN SCALE. USE MARKED DIMENSIONS. VERIFY ACTUAL MEASUREMENTS. INFORM THE DESIGN TEAM OF ANY DISCREPANCIES FOUND IN THE DRAWINGS, DOCUMENTS, AND ACTUAL SITE CONDITIONS.



CRS

1 CHEMISTRY PILOT PLANT (1)  
EXISTING SECOND FLOOR PLAN (BLOW-UP)  
SCALE NTS

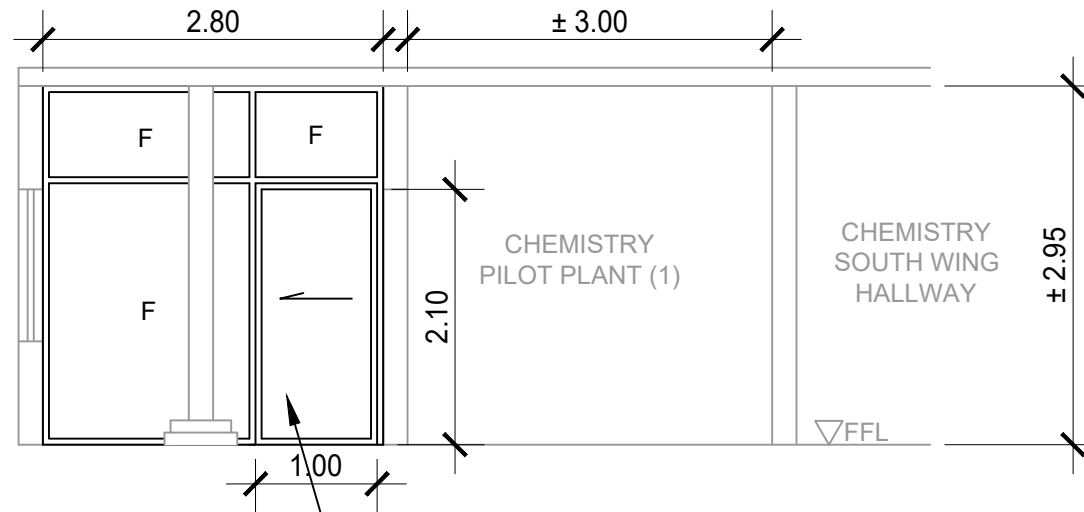
2 CHEMISTRY PILOT PLANT (1)  
PROPOSED SECOND FLOOR PLAN (BLOW-UP)  
SCALE NTS

<p>Republic of the Philippines DEPARTMENT OF SCIENCE AND TECHNOLOGY PHILIPPINE NUCLEAR RESEARCH INSTITUTE COMMONWEALTH AVENUE, DILIMAN, QUEZON CITY</p>	<b>PROJECT TITLE:</b>	<b>SHEET CONTENT/S:</b>	<b>PREPARED BY:</b>	<b>RECOMMENDING APPROVALS:</b>	<b>APPROVED BY:</b>	<b>DRAWN BY:</b>	<b>SHEET NO.</b>	
	UPGRADING OF ARC BUILDING (C.Y. 2025)	CHEMISTRY PILOT PLANT (1) - EXISTING SECOND FLOOR PLAN (BLOW-UP) - PROPOSED SECOND FLOOR PLAN (BLOW-UP)	ENGR. ANDREW C. BARRIDA SSRS, ESS  ENGR. ROSALINO B. REJAS SSRS, ESS	ENGR. ARTURO F. SALIH ESS, HEAD CHITHO P. FELICIANO, Ph.D. END-USER, HEAD, HPRS NEIL RAYMUND D. GUILLERMO, M. Sc CHIEF, ARD ENGR. HAYDEE M. SOLOMON OIC-CHIEF, NSD VALLERIE ANN I. SAMSON, Ph. D. DEPUTY DIRECTOR	CARLO A. ARCILLA, Ph. D. DIRECTOR	ENGR. C. PELMONTE	A - 38	
						CHECKED BY:		PAGE NO. OF TOTAL NO. OF PAGES 38 of 84
						DATE:		

GENERAL NOTE: DRAWINGS MAY NOT BE IN SCALE. USE MARKED DIMENSIONS. VERIFY ACTUAL MEASUREMENTS. INFORM THE DESIGN TEAM OF ANY DISCREPANCIES FOUND IN THE DRAWINGS, DOCUMENTS, AND ACTUAL SITE CONDITIONS.

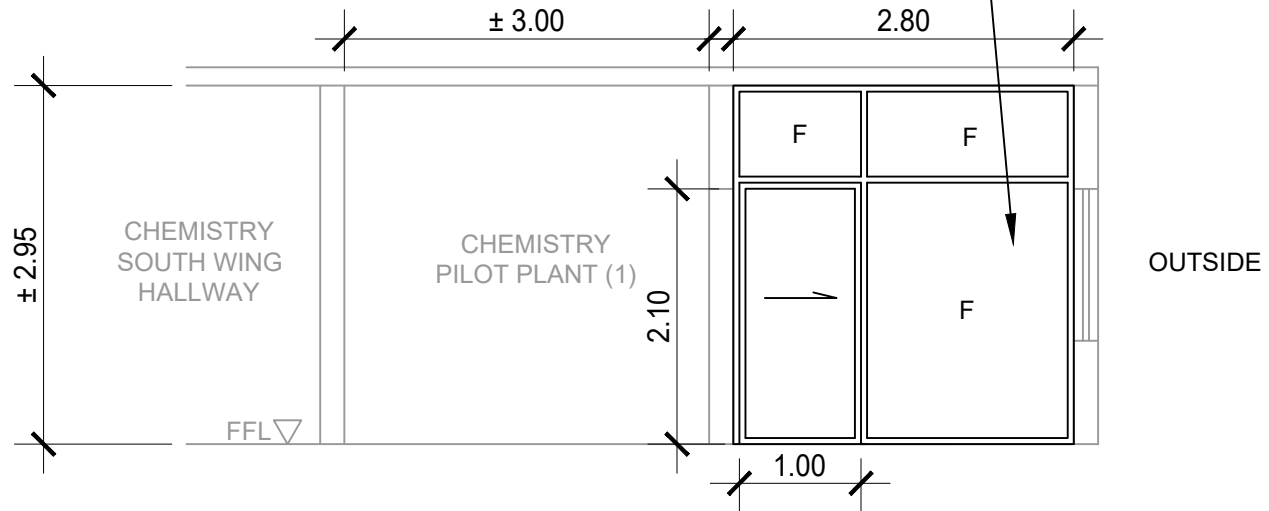
(LEFT SIDE ELEVATION)

OUTSIDE



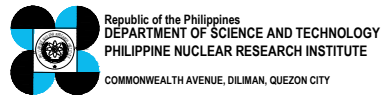
SUPPLY AND INSTALLATION OF 6MM THK. GLASS AND 50MM THK ALUMINUM PRE-PAINTED FRAME WITH SLIDING DOOR WITH COMPLETE LOCKSET AND ACCESSORIES

(RIGHT SIDE ELEVATION)

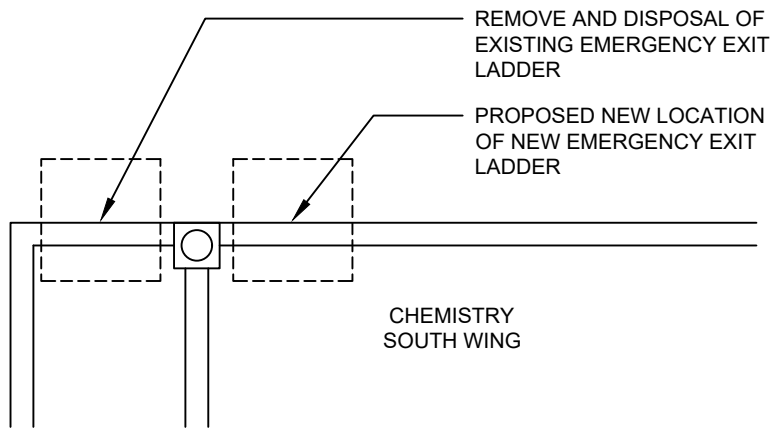


CRS

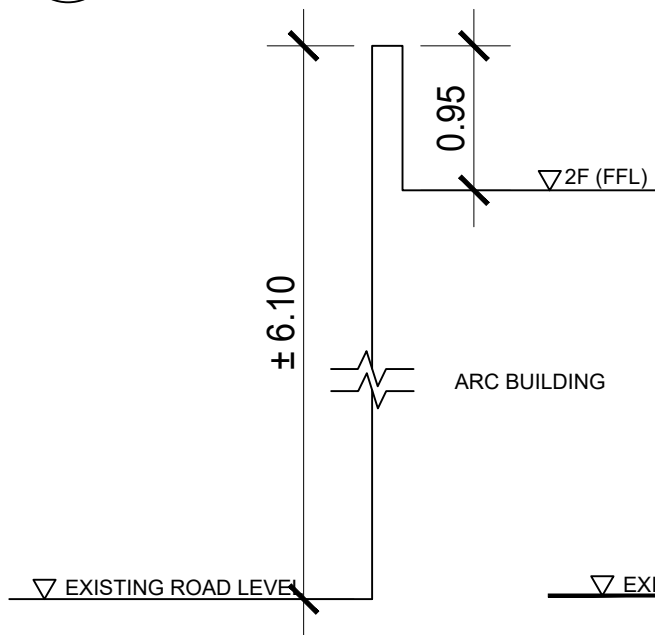
1 CHEMISTRY PILOT PLANT (1)  
A - 39 PROPOSED GLASS AND ALUMINUM DIVIDERS  
SCALE NTS



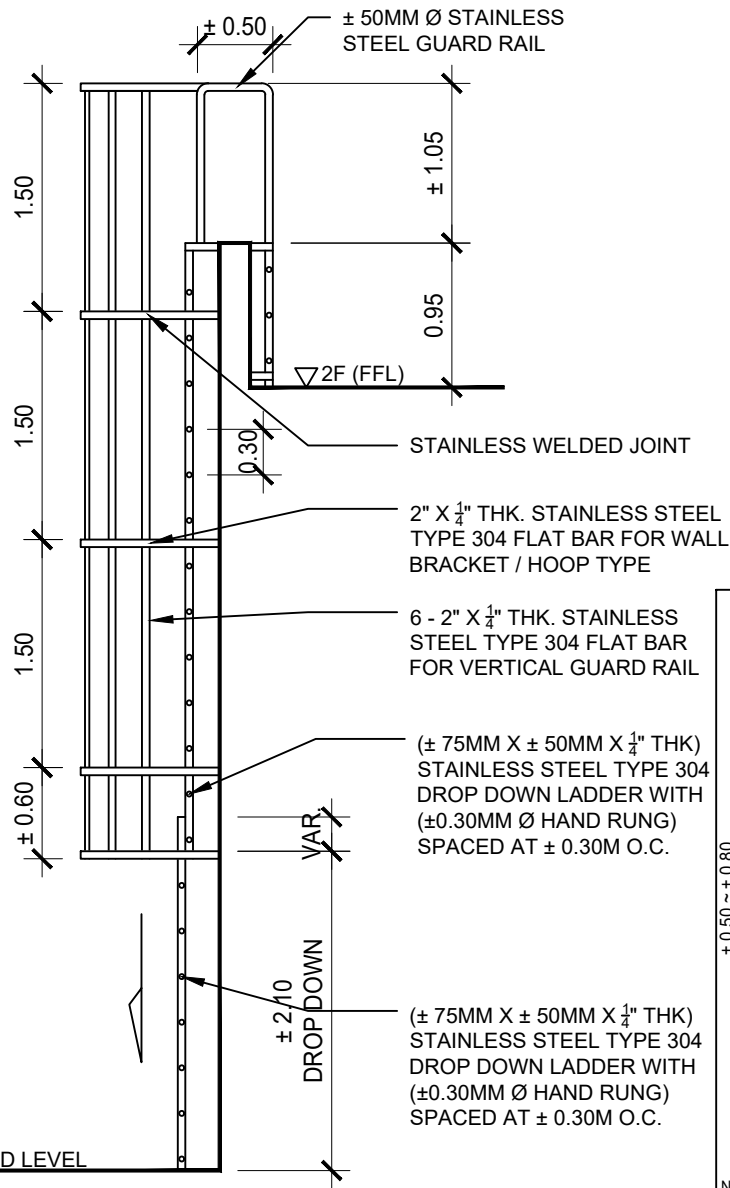
PROJECT TITLE:	SHEET CONTENT/S:	PREPARED BY:	RECOMMENDING APPROVALS:	APPROVED BY:	DRAWN BY:	SHEET NO.
UPGRADING OF ARC BUILDING (C.Y. 2025)	CHEMISTRY PILOT PLANT (1) - PROPOSED GLASS AND ALUMINUM DIVIDERS	ENGR. ANDREW C. BARRIDA SSRS, ESS	ENGR. ARTURO F. SALIH ESS, HEAD NEIL RAYMUND D. GUILLERMO, M. Sc CHIEF, ARD	CHITHO P. FELICIANO, Ph.D. END-USER, HEAD, HPRS	ENGR. C. PELMONTE	A - 39
		ENGR. ROSALINO B. REJAS SSRS, ESS	ENGR. HAYDEE M. SOLOMON OIC-CHIEF, NSD	VALLERIE ANN I. SAMSON, Ph. D. DEPUTY DIRECTOR	CARLO A. ARCILLA, Ph. D. DIRECTOR	PAGE NO. OF TOTAL NO. OF PAGES 39 of 84



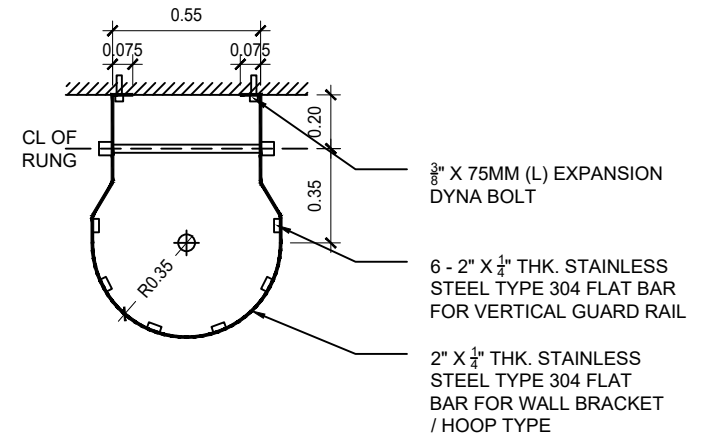
1 CHEMISTRY SOUTH WING SECOND FLOOR PLAN (BLOW-UP) SCALE A - 40 NTS



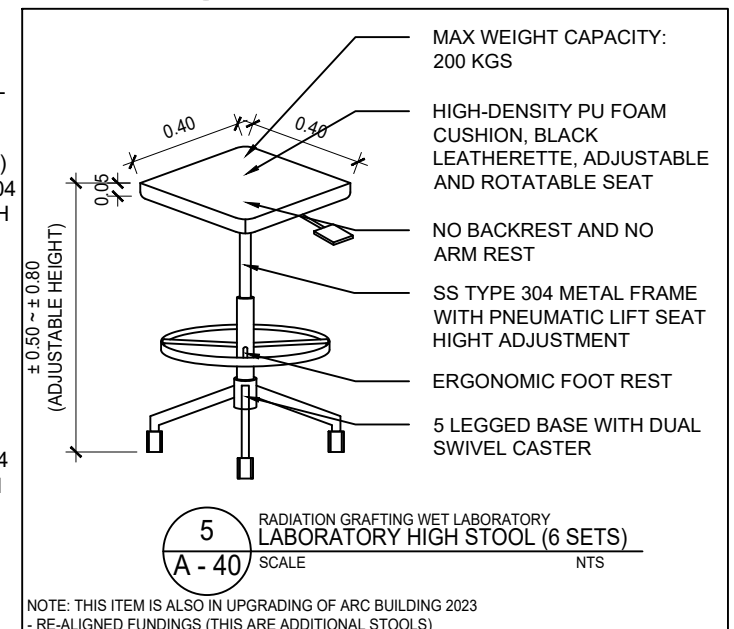
2 CHEMISTRY SOUTH WING ELEVATION (BLOW-UP) SCALE A - 40 NTS



3 CHEMISTRY SOUTH WING EMERGENCY EXIT LADDER RUNG (RIGHT SIDE VIEW) SCALE A - 40 NTS

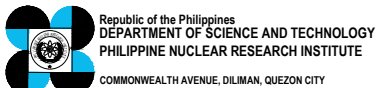


4 CHEMISTRY SOUTH WING EMERGENCY EXIT LADDER RUNG (TOP VIEW) SCALE A - 40 NTS



NOTE: THIS ITEM IS ALSO IN UPGRADING OF ARC BUILDING 2023 - RE-ALIGNED FUNDINGS (THIS ARE ADDITIONAL STOOLS)

CRS



PROJECT TITLE:	SHEET CONTENT/S:	PREPARED BY:	RECOMMENDING APPROVALS:	APPROVED BY:	DRAWN BY:	SHEET NO.
UPGRADING OF ARC BUILDING (C.Y. 2025)	CHEMISTRY SOUTH WING - SECOND FLOOR PLAN (BLOW-UP) - ELEVATION (BLOW-UP) - EMERGENCY EXIT LADDER RUNG (RIGHT SIDE VIEW) - EMERGENCY EXIT LADDER RUNG (TOP VIEW) RADIATION GRAFTING WET LABORATORY - LABORATORY HIGH STOOL	ENGR. ANDREW C. BARRIDA SSRS, ESS  ENGR. ROSALINO B. REJAS SSRS, ESS	ENGR. ARTURO F. SALIH ESS, HEAD NEIL RAYMUND D. GUILLERMO, M. Sc CHIEF, ARD ENGR. HAYDEE M. SOLOMON OTC-CRIF, NSD VALLERIE ANN I. SAMSON, Ph. D. DEPUTY DIRECTOR	CARLO A. ARCILLA, Ph. D. DIRECTOR	ENGR. C. PELMONTE CHECKED BY: DATE:	A - 40 PAGE NO. OF TOTAL NO. OF PAGES 40 of 84

REMOVE AND REPLACE STAIR WOODEN HEAD BEAM WITH NEW DRY WALL WITH METAL STUD (0.60MM THK. X 32MM X 92MM) FRAMING SPACED AT 0.60M AND 4.5MM THK. FICEM BOARD

REPAINTING OF HALLWAY INCLUDING SPORTS AREA (3 COATS OF LATEX PAINT SAME AS EXISTING WALL AREA (ONE SIDE) = ± 165.00M (L) X ± 2.60M (H)

REMOVAL OF TAPE RESIDUE, WALLS AND WINDOWS DEBRIS, AND CLEANING OF WALLS

REPLACE OLD AND DILAPIDATED WITH NEW 0.60M X 0.60M ACOUSTIC BOARD (FISSURED FINISH) SAME AS EXISTING (± 50 PCS)

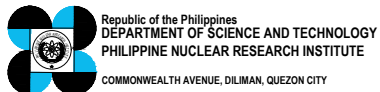
REMOVE AND REPLACE DAMAGED STAIR NOSING WITH NEW 5 - 3.50M (L) ALUMINUM STAIR NOSING (SILVER)

REMOVE OLD TILE ADHESIVE AND STAIR TILES AND SUPPLY AND INSTALLATION WITH NEW 0.60M X 0.60M NON-SKID EXTERIOR PORCELAIN FLOOR TILES (WHITE)  
 FLOOR AREA = ± 3.70M (L) X ± 3.50M (W) = 12.95 SQ.M.  
 STAIRS AREA = ± 1.50M (L) X ± 3.50M (W) = 5.25 SQ.M.

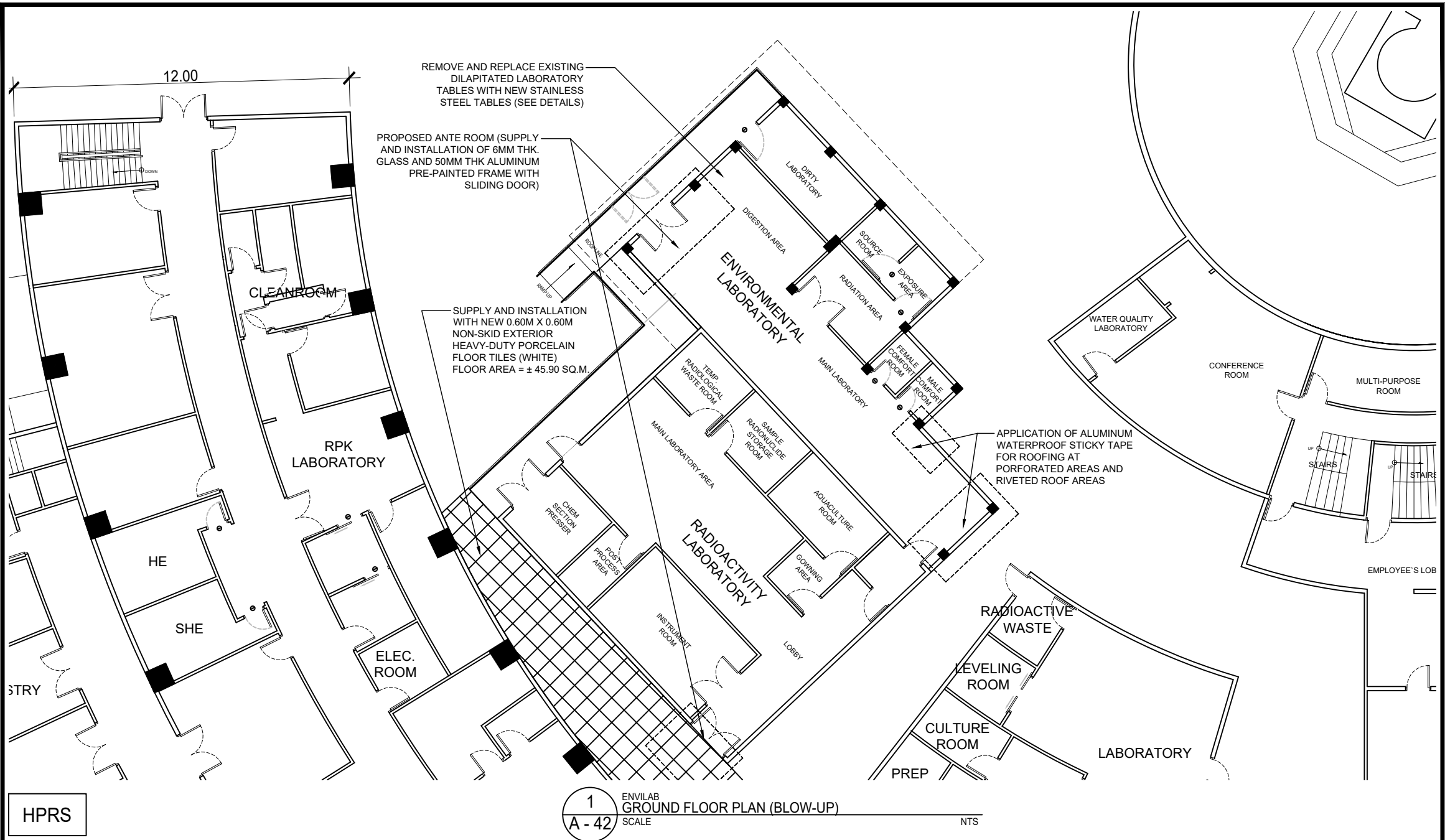
REMOVE AND REPLACE DAMAGED TILES WITH NEW 0.60M X 0.60M PORCELAIN FLOOR TILES (WHITE) SAME AS EXISTING (±10PCS)

1  
A - 41  
ARC BUILDING  
GROUND FLOOR PLAN - LEFT SIDE (BLOW-UP)  
SCALE NTS

ESS




PROJECT TITLE:	SHEET CONTENT/S:	PREPARED BY:	RECOMMENDING APPROVALS:	APPROVED BY:	DRAWN BY:	SHEET NO.
UPGRADING OF ARC BUILDING (C.Y. 2025)	ARC BUILDING - GROUND FLOOR PLAN - LEFT SIDE (BLOW-UP)	ENGR. ANDREW C. BARRIDA SSRS, ESS  ENGR. ROSALINO B. REJAS SSRS, ESS	ENGR. ARTURO F. SALIH ESS, HEAD  NEIL RAYMUND D. GUILLERMO, M. Sc CHIEF, ARD  ENGR. HAYDEE M. SOLOMON OIC-CHIEF, NSD  CHITHO P. FELICIANO, Ph.D. END-USER, HEAD, HPRS  VALLERIE ANN I. SAMSON, Ph. D. DEPUTY DIRECTOR	CARLO A. ARCILLA, Ph. D. DIRECTOR	ENGR. C. PELMONTE CHECKED BY:  DATE:	A - 41  PAGE NO. OF TOTAL NO. OF PAGES 41 of 84

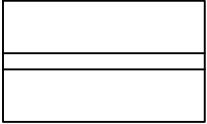




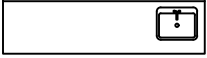





HPRS

1  
A - 42  
ENVILAB  
GROUND FLOOR PLAN (BLOW-UP)  
SCALE  
NTS


 <p>Republic of the Philippines DEPARTMENT OF SCIENCE AND TECHNOLOGY PHILIPPINE NUCLEAR RESEARCH INSTITUTE COMMONWEALTH AVENUE, DILIMAN, QUEZON CITY</p>	<b>PROJECT TITLE:</b>	<b>SHEET CONTENT/S:</b>	<b>PREPARED BY:</b>	<b>RECOMMENDING APPROVALS:</b>	<b>APPROVED BY:</b>	<b>DRAWN BY:</b>	<b>SHEET NO.</b>	
	UPGRADING OF ARC BUILDING (C.Y. 2025)	ENVILAB - GROUND FLOOR PLAN (BLOW-UP)	<u>ENGR. ANDREW C. BARRIDA</u> SSRS, ESS  <u>ENGR. ROSALINO B. REJAS</u> SSRS, ESS	<u>ENGR. ARTURO F. SALIH</u> ESS, HEAD  <u>NEIL RAYMUND D. GUILLERMO, M. Sc</u> CHIEF, ARD  <u>ENGR. HAYDEE M. SOLOMON</u> OIC-CHIEF, NSD  <u>CHITHO P. FELICIANO, Ph.D.</u> END-USER, HEAD, HPRS  <u>VALLERIE ANN I. SAMSON, Ph. D.</u> DEPUTY DIRECTOR	<u>CARLO A. ARCILLA, Ph. D.</u> DIRECTOR	<u>ENGR. C. PELMONTE</u> CHECKED BY:  DATE:	<b>A - 42</b>  PAGE NO. OF TOTAL NO. OF PAGES <b>42 of 84</b>	

GENERAL NOTE: DRAWINGS MAY NOT BE IN SCALE. USE MARKED DIMENSIONS. VERIFY ACTUAL MEASUREMENTS. INFORM THE DESIGN TEAM OF ANY DISCREPANCIES FOUND IN THE DRAWINGS, DOCUMENTS, AND ACTUAL SITE CONDITIONS.



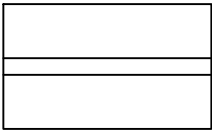




LOCATION	DESCRIPTION AND ILLUSTRATION OF NEW TABLE (TOP VIEW - NOT TO SCALE)	ITEM OF WORK	IMAGE (1)	IMAGE (2)
1 ENVILAB 1 (PHASE 1)	MAIN LABORATORY TABLE (1.50M (L) X 1.50M (W) X 0.90M (H)) 	<ul style="list-style-type: none"> <li>- REMOVE AND REPLACE WITH STAINLESS STEEL TABLE, TYPE 304, 1.00MM THK., MIRROR FINISH, WITH COMPLETE STAINLESS STEEL LOCKSET AND ACCESSORIES</li> </ul>		
2 ENVILAB 1 (PHASE 1)	MAIN LABORATORY TABLE (3.00M (L) X 0.60M (W) X 0.90M (H)) 	<ul style="list-style-type: none"> <li>- REMOVE AND REPLACE WITH STAINLESS STEEL TABLE, TYPE 304, 1.00MM THK., MIRROR FINISH, WITH COMPLETE STAINLESS STEEL LOCKSET AND ACCESSORIES</li> </ul>		
3 ENVILAB 1 (PHASE 1)	CHEMICAL ROOM SINK (2.00M (L) X 0.60M (W) X 0.90M (H)) 	<ul style="list-style-type: none"> <li>- REMOVE AND REPLACE WITH STAINLESS STEEL TABLE, TYPE 304, 1.00MM THK., MIRROR FINISH, WITH COMPLETE STAINLESS STEEL LOCKSET AND ACCESSORIES</li> <li>- REINSTALLATION OF EXISTING STAINLESS SINK</li> <li>- REINSTALLATION OF EXISTING PLUMBING PIPES AND LINES</li> </ul>		
4 ENVILAB 1 (PHASE 1)	OVEN ROOM SINK (2.00M (L) X 0.60M (W) X 0.90M (H)) 	<ul style="list-style-type: none"> <li>- REMOVE AND REPLACE WITH STAINLESS STEEL TABLE, TYPE 304, 1.00MM THK., MIRROR FINISH, WITH COMPLETE STAINLESS STEEL LOCKSET AND ACCESSORIES</li> <li>- REINSTALLATION OF EXISTING STAINLESS SINK</li> <li>- REINSTALLATION OF EXISTING PLUMBING PIPES AND LINES</li> </ul>		

HPRS

1 ENVILAB  
 SCHEDULE OF STAINLESS STEEL TABLES (1 OF 2)  
 A - 43 SCALE NTS


 Republic of the Philippines DEPARTMENT OF SCIENCE AND TECHNOLOGY PHILIPPINE NUCLEAR RESEARCH INSTITUTE COMMONWEALTH AVENUE, DILIMAN, QUEZON CITY	<b>PROJECT TITLE:</b>	<b>SHEET CONTENT/S:</b>	<b>PREPARED BY:</b>	<b>RECOMMENDING APPROVALS:</b>	<b>APPROVED BY:</b>	<b>DRAWN BY:</b>	<b>SHEET NO.</b>
	UPGRADING OF ARC BUILDING (C.Y. 2025)	ENVILAB - SCHEDULE OF STAINLESS STEEL TABLES (1 OF 2)	<u>ENGR. ANDREW C. BARRIDA</u> <small>SSRS, ESS</small>  <u>ENGR. ROSALINO B. REJAS</u> <small>SSRS, ESS</small>	<u>ENGR. ARTURO F. SALIH</u> <small>ESS, HEAD</small> <u>NEIL RAYMUND D. GUILLERMO, M. Sc</u> <small>CHIEF, ARD</small>  <u>ENGR. HAYDEE M. SOLOMON</u> <small>OIC-CHIEF, NSD</small>	<u>CHITHO P. FELICIANO, Ph.D.</u> <small>END-USER, HEAD, HPRS</small>  <u>VALLERIE ANN I. SAMSON, Ph. D.</u> <small>DEPUTY DIRECTOR</small>	<u>ENGR. C. PELMONTE</u> <small>CHECKED BY:</small>  <small>DATE:</small>	<u>CARLO A. ARCILLA, Ph. D.</u> <small>DIRECTOR</small>  <b>A - 43</b> <small>PAGE NO. OF TOTAL NO. OF PAGES</small> <b>43 of 84</b>

GENERAL NOTE: DRAWINGS MAY NOT BE IN SCALE. USE MARKED DIMENSIONS. VERIFY ACTUAL MEASUREMENTS. INFORM THE DESIGN TEAM OF ANY DISCREPANCIES FOUND IN THE DRAWINGS, DOCUMENTS, AND ACTUAL SITE CONDITIONS.

LOCATION	DESCRIPTION AND ILLUSTRATION OF NEW TABLE (TOP VIEW - NOT TO SCALE)	ITEM OF WORK	IMAGE (1)	IMAGE (2)
5 ENVILAB 1 (PHASE 1)	SAMPLE ROOM SINK (1.50M (L) X 0.60M (W) X 0.90M (H)) 	<ul style="list-style-type: none"> <li>- REMOVE AND REPLACE WITH STAINLESS STEEL, TYPE 304, 1.00MM THK., MIRROR FINISH, WITH COMPLETE STAINLESS STEEL LOCKSET AND ACCESSORIES</li> <li>- REINSTALLATION OF EXISTING STAINLESS SINK</li> <li>- REINSTALLATION OF EXISTING PLUMBING PIPES AND LINES</li> </ul>		
6 ENVILAB 1 (PHASE 2)	MAIN LABORATORY SINK (2.40M (L) X 1.30M (W) X 0.90M (H)) 	<ul style="list-style-type: none"> <li>- REMOVE AND REPLACE WITH STAINLESS STEEL "MOVABLE" TABLE, TYPE 304, 1.00MM THK., MIRROR FINISH, WITH COMPLETE STAINLESS STEEL LOCKSET AND ACCESSORIES</li> <li>- USE HEAVY-DUTY STAINLESS SWIVEL, CASTER WHEEL WITH LOCK</li> <li>- REMOVE EXISTING STAINLESS SINK, PLUMBING PIPES, AND LINES</li> <li>- RESTORATION OF EXISTING FLOORING AND APPLICATION OF ± 3MM THK. SELF-LEVELING EPOXY (SAME AS EXISTING)</li> </ul>		
7 ENVILAB 1 (PHASE 2)	MAIN LABORATORY SINK (3.00M (L) X 0.60M (W) X 0.90M (H)) 	<ul style="list-style-type: none"> <li>- REMOVE AND REPLACE WITH STAINLESS STEEL TABLE, TYPE 304, 1.00MM THK., MIRROR FINISH, WITH COMPLETE STAINLESS STEEL LOCKSET AND ACCESSORIES</li> <li>- REINSTALLATION OF EXISTING STAINLESS SINK</li> <li>- REINSTALLATION OF EXISTING PLUMBING PIPES AND LINES</li> </ul>		

HPRS

1 ENVILAB  
**SCHEDULE OF STAINLESS STEEL TABLES (2 OF 2)**  
 A - 44 SCALE NTS

 <p style="font-size: 8px;">Republic of the Philippines DEPARTMENT OF SCIENCE AND TECHNOLOGY PHILIPPINE NUCLEAR RESEARCH INSTITUTE COMMONWEALTH AVENUE, DILIMAN, QUEZON CITY</p>	<b>PROJECT TITLE:</b>	<b>SHEET CONTENT/S:</b>	<b>PREPARED BY:</b>	<b>RECOMMENDING APPROVALS:</b>	<b>APPROVED BY:</b>	<b>DRAWN BY:</b>	<b>SHEET NO.</b>
	UPGRADING OF ARC BUILDING (C.Y. 2025)	ENVILAB - SCHEDULE OF STAINLESS STEEL TABLES (2 OF 2)	<u>ENGR. ANDREW C. BARRIDA</u> SSRS, ESS  <u>ENGR. ROSALINO B. REJAS</u> SSRS, ESS	<u>ENGR. ARTURO F. SALIH</u> ESS, HEAD  <u>NEIL RAYMUND D. GUILLERMO, M. Sc</u> CHIEF, ARD  <u>ENGR. HAYDEE M. SOLOMON</u> OIC-CHIEF, NSD  <u>CHITHO P. FELICIANO, Ph.D.</u> END-USER, HEAD, HPRS	<u>CARLO A. ARCILLA, Ph. D.</u> DIRECTOR	<u>ENGR. C. PELMONTE</u> CHECKED BY:  DATE:	<b>A - 44</b>  <small>PAGE NO. OF TOTAL NO. OF PAGES</small> <b>44 of 84</b>

GENERAL NOTE: DRAWINGS MAY NOT BE IN SCALE. USE MARKED DIMENSIONS. VERIFY ACTUAL MEASUREMENTS. INFORM THE DESIGN TEAM OF ANY DISCREPANCIES FOUND IN THE DRAWINGS, DOCUMENTS, AND ACTUAL SITE CONDITIONS.